



Solenoid valve 2/2 way N.C. Direct acting

21A2K0712-XC

PRESENTATION:

Direct acting S.V. for interception of fluids compatible with the construction materials.

Minimum operational pressure is not required.

The materials used and the tests carried out ensure maximum reliability and duration.

USE: Automation

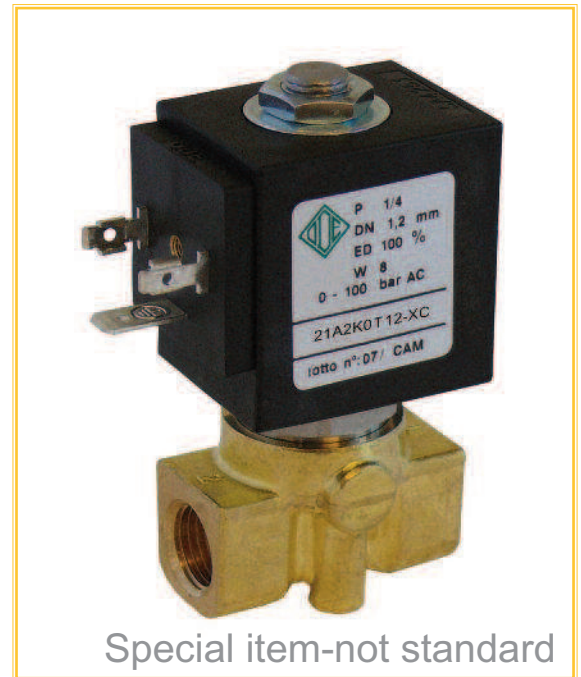
PIPES: G 1/4

COIL:

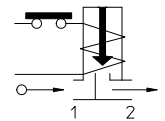
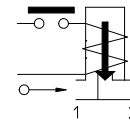
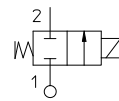
8W - Ø 13	
BDA -BDS - BSA	155°C (class F)
BDP	160°C (high temperature)
BDF - BDV	180°C (class H)
12W - Ø 13	
UDA	155°C (class F)
UDV	180°C (class H)

MOULDING AND BOBBIN ARE MADE BY 100% VIRGIN MATERIAL.

Max. allowable pressure (PS)	150 bar
Environment temperature	
with coil class F or high temperature	- 10°C + 60°C
with coil class H	- 10°C + 80°C



Gaskets	Temperature		Medium
T=PTFE (polytetrafluorethylen)	-40°C	+180°C	Air, water



Pipe ISO 228/1	Code	Max viscosity		Ø mm	Kv l/mn	Power (watt)	Pressure		
		cSt	°E				min bar	M.O.P.D. AC bar DC bar	
G 1/4	21A2K0712-XC	12	~ 2	1,2	1	8	0	100	90
						12	0	100	100

Note.

Available on request and with minimum quantities.

The "ODE" reserves the right to carry out technical and aesthetic modifications without prior notification.

MATERIALS:

Body	Brass - UNI EN 12165 CW617N
Armature tube	Stainless steel AISI series 300
Fixed core	Stainless steel AISI series 400
Plunger	Stainless steel AISI series 400
Phase displacement ring	Copper - Cu 99,9%
Spring	Stainless steel AISI series 300
Main seal	T=PTFE
Orifice	Brass - UNI EN 12165 CW617N

On request:

Connector	Pg 9 o Pg 11
Connector conformity	ISO 4400

FEATURES:

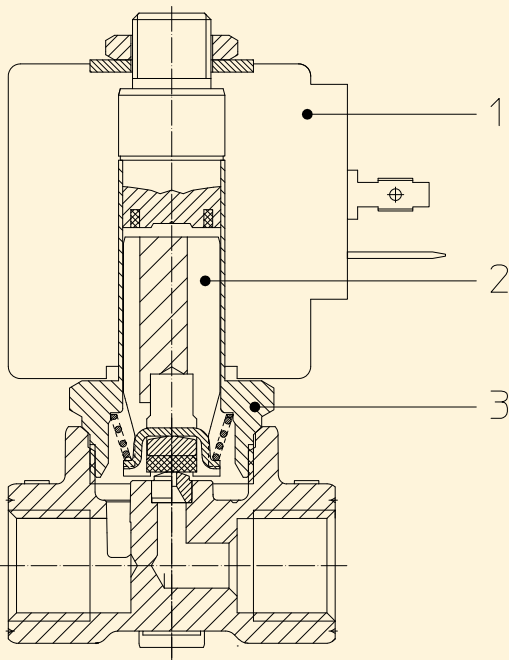
Electrical conformity	IEC 335
Protection degree	IP 65 EN 60529 (DIN 40050) with coil fitted by connector..

SPARE PARTS:

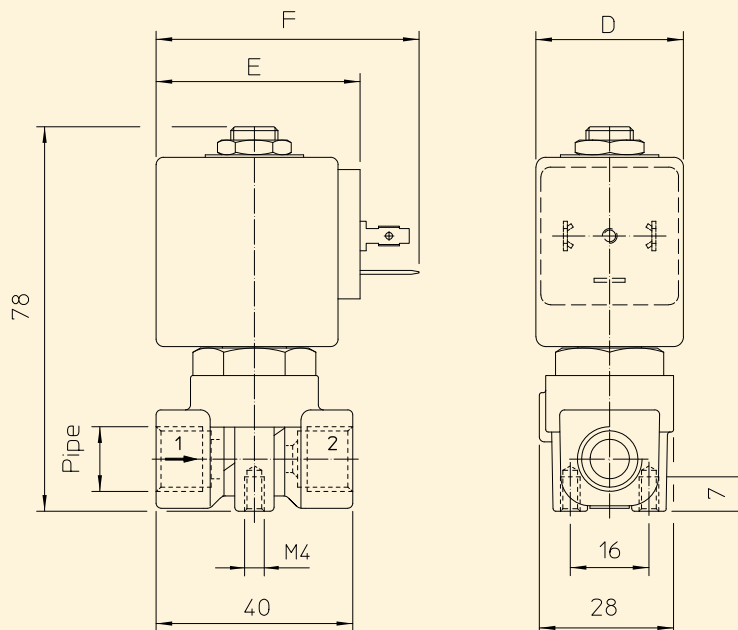
- Coil:**
See coils list
- Complete plunger:**
Code R450897
- Complete armature tube:**
Code R450606

KIT:

KT130KT30-AP =2+3



DIMENSIONS:



COIL	POWER ABSORPTION		TYPE	DIMENSIONS		
	Inrush VA ~	Hold VA ~		D mm	E mm	F mm
8 W	25	14,5	B	30	42	54
12 W	35	25	U	36	48	60