



Solenoid valve 2/2 way N.O. With pilot control

21WA3Z0B130
÷
21WA4Z0B130

PRESENTATION:

S.V. with pilot control for interception of fluids compatible with the construction materials.

A minimum operational pressure of 0,2 bar is required. The materials used and the tests carried out ensure maximum reliability and duration.

USE: Automation
Heating

PIPE: G 3/8 - G 1/2

COILS: 8W - Ø 13
BDA - BDS - BSA 155°C (class F)
BDP 160°C (high temperature)
BDF - BDV 180°C (class H)

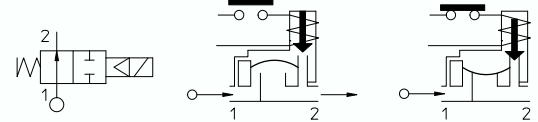
MOULDING AND BOBBIN ARE MADE BY 100% VIRGIN MATERIAL.

Max. allowable pressure (PS) 20 bar
Environment temperature:
with coil class F or high temperature - 10°C + 60°C
with coil class H - 10°C + 80°C



Gaskets	Temperature		Medium
	- 10°C	+ 90°C	
B =NBR (nitrile rubber)	- 10°C	+ 90°C	Air, inert gas, water
E =EPDM (ethylene-propylene)	- 10°C	+140°C	Water, low pressure steam
V =FKM (fluoroelastomer)	- 10°C	+140°C	Mineral oils (2°E), gasoline gas oil

For seals other than NBR replace the letter "B" with the ones corresponding to the other seals. E.I. 21WA3Z0V130.



Pipe ISO 228/1	Code	Max viscosity		Ø mm	Kv l/mn	Power (watt)	Pressure		
		cSt	°E				min bar	M.O.P.D.	
								AC bar	DC bar
G 3/8	21WA3Z0B130	12	~ 2	13	60	8	0,2	16	16
G 1/2	21WA4Z0B130								

The "ODE" reserves the right to carry out technical and aesthetic modifications without prior notification.

MATERIALS:

Body	Brass - UNI EN 12165 CW617N
Armature tube	Stainless steel AISI series 300
Fixed core	Stainless steel AISI series 400
Plunger	Stainless steel AISI series 400
Phase displacement ring	Copper - Cu 99,9%
Spring	Stainless steel AISI series 300
Seal	Standard: B=NBR On request: E=EPDM V=FKM
Orifice	Brass - UNI EN 12165 CW617N

On request:

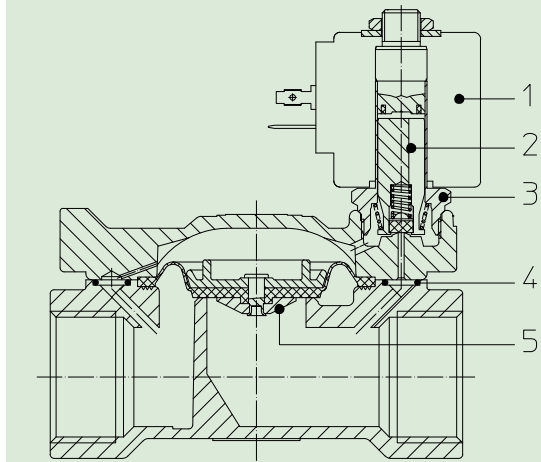
Connector	Pg 9 or Pg 11
Connector conformity	ISO 4400

FEATURES:

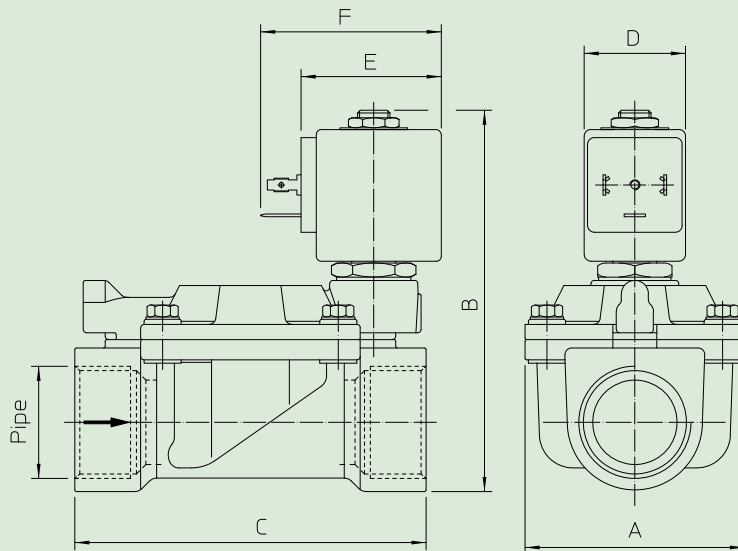
Electrical conformity	IEC 335
Protection degree	IP 65 EN 60529 (DIN 40050) with coil fitted by connector.

SPARE PARTS:

1. Coil:	See coils list	KIT:	KT130KB30-A=2+3
2. Complete plunger:	Code R450886/B	MAINTENANCE KIT:	
3. Complete armature tube:	Code R450606	G 3/4-G 1	KTG0W3KB19=2+4+5
4. Gasket O-Ring:	G 3/4-G 1 Code R990002/B	G 1 1/4-G 1 1/2	KTG0W5KB35=2+4+5
	G 1 1/4-G 1 1/2 Code R990005/B	G 2	KTG0W7KB50=2+4+5
	G 2 Code R990081/B		
5. Complete diaphragm:	G 3/4-G 1 Code R450431/B		
	G 1 1/4-G 1 1/2 Code R450466/B		
	G 2 Code R450432/B		



DIMENSIONS:



Type	Pipe ISO 228/1	A mm	B mm	C mm
21W3KB190	G 3/4	65	105	104
21W4KB250	G 1		112	
21W5KB350	G 1 1/4	98	125	144
21W6KB400	G 1 1/4			
21W7KB500	G 2	118	141	172

COIL W ---	POWER ABSORPTION		TYPE	DIMENSIONS		
	Inrush VA ~	Hold VA ~		D mm	E mm	F mm
8 W	25	14,5	B	30	42	54