

MATERIALS:

Body Stainless steel AISI 316
Armature tube Stainless steel AISI 316
Fixed core Stainless steel AISI series 400
Plunger Stainless steel AISI series 400
Phase displacement ring Gold plated copper
Spring Stainless steel AISI series 300
Seal Standard: V=FKM+PA

Orificie Stainless steel AISI 316

On request:
Connector Pg 9 o Pg 11
Connector conformity ISO 4400

FEATURES:

Electrical conformity IEC 335
Protection degree IP 65 EN 60529 (DIN 40050) with coil fitted by connector

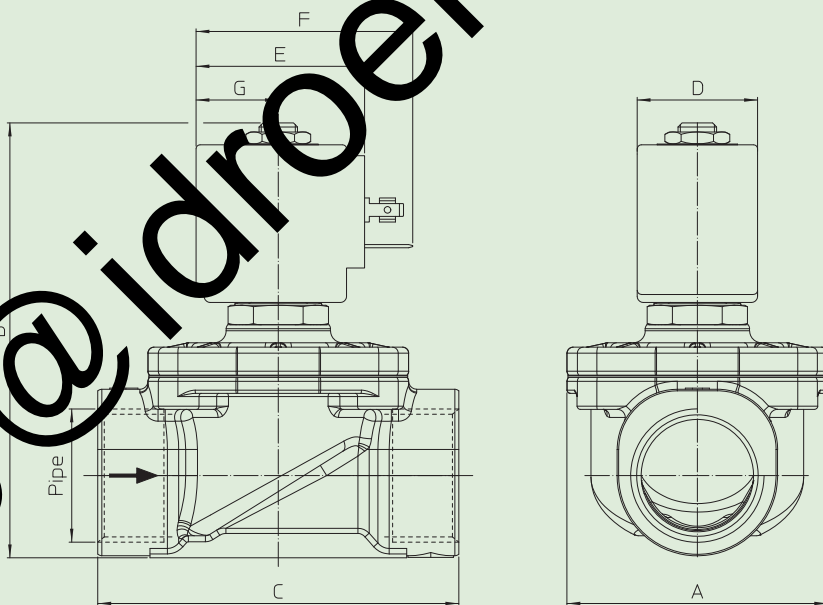
SPARE PARTS:

- 1. **Coil:** G 3/4 Code R452899/V
 See coils list G 3/8 Code R452846/V
- 2. **Complete plunger:** G 1 1/4 + G 1 1/2 Code R452904/V
 Code R450811
- 3. **Gasket O-Ring:** Code R990000/V
- 4. **Gasket O-Ring:** Code R990105/V
 G 1/4 + G 1/2 Code R992103/V
 G 3/4 Code R992109/V
 G 1 Code R992109/V
 G 1 1/4 + G 1 1/2 Code R993101/V
- 5. **Complete diaphragm with plunger:** G 1 1/4 + G 1 1/2 Code R452894/V

MAINTENANCE KIT:

- G 1/4 + G 1/2 KTGIH3K1V15=4+5
- G 3/4 KTGIH5K1V20=4+5
- G 1 KTGIH6K1V25=4+5
- G 1 1/4 + G 1 1/2 KTGIH7K1V35=4+5

DIMENSIONS:



Type	Pipe ISO 228/1	A mm	B mm	C mm
21H2K1V110	G 1/4	52	87	56
21H3K1V150	G 3/8		92	68
21H4K1V160	G 1/2		58	100
21H5K1V200	G 3/4	65	109	90
21H6K1V250	G 1	94	126	128
21H7K1V350	G 1 1/4			
21H7K1V350-S	G 1 1/2			
21H8K1V400				
21H8K1V400-S				

COIL TYPE	POWER ABSORPTION			DIMENSIONS			
	W	Hold VA ~	Inrush VA ~	D mm	E mm	F mm	G mm
B	8	14,5	25	30	42	54	20,5
U	12	23	35	36	48	60	23,5
G	14	27	43	52	55	67	25

info@idroenergiatitalia.it