



Solenoid valve 2/2 way N.C. Direct acting

21ALBK1F15-LT

÷

21ALBK1F30-LT

PRESENTATION:

Direct acting S.V. for interception of fluids compatible with the construction materials.

Minimum operational pressure is not required.

The materials used and the tests carried out ensure maximum reliability and duration.

Solenoid valve designed and manufactured specifically to be used in low ambient temperature and fluid conditions.

USE: Automation, Heating,
Chemistry

PIPES: subplate mounting

COIL: 8W - Ø 13
BDV 180°C (class H)

**COIL HOUSING AND COIL FORMER MATERIAL ARE
MADE BY 100% VIRGIN MATERIAL.**

Max. allowable pressure (PS) 40 bar

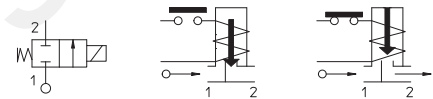
Ambient temperature:

lower range: - 40°C

higher range: See coils catalogue page for its compatibility.



Gaskets	Temperature	Medium
FLT=H-NBR for low temperatures (hydrogenated nitrile)	- 40°C + 130°C	Air, inert gases, glycol



Pipe	Code	Max viscosity		Ø mm	Kv l/mn	Power watt	Pressure		
		cSt	°E				min bar	M.O.P.D. AC bar DC bar	
SUBPLATE MOUNTING	21ALBK1F15-LT	12	~ 2	1,5	1,4	8	0	30	18
	21ALBK1F20-LT	37	~ 5	2	2			22	16
	21ALBK1F25-LT	53	~ 7	2,5	3,2			14	9
	21ALBK1F30-LT			3	4			10	6

Note

Available on request and with minimum quantities.

IDROENERGIAITALIA

Master distributor ODE

Sede Legale

Registered Office

00195 Roma (RM) Via Carlo Mirabello, 14

Ufficio Commerciale e sede logistica

Commercial and Logistic Office

73100 Lecce (LE) - Via Parini, 48

Tel: +39 0832090005

e-mail: info@idroenergiaitalia.it

negozio@elettrovalvole.info

MATERIALS:

Body	Stainless steel AISI 316
Armature tube	Stainless steel AISI series 300
Fixed core	Stainless steel AISI series 400
Plunger	Stainless steel AISI series 400
Phase displacement ring	Copper - Cu 99,9%
Spring	Stainless steel AISI series 300
Seal	FLT=H-NBR
Orifice	Stainless steel AISI 316

On request:

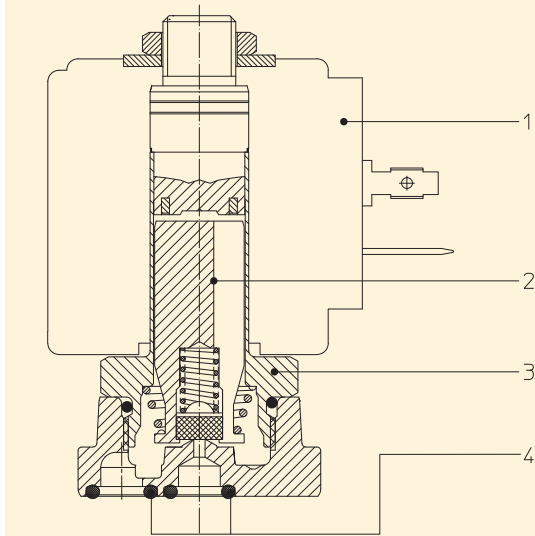
Connector	Pg 9 or Pg 11
Connector conformity	ISO 4400

FEATURES:

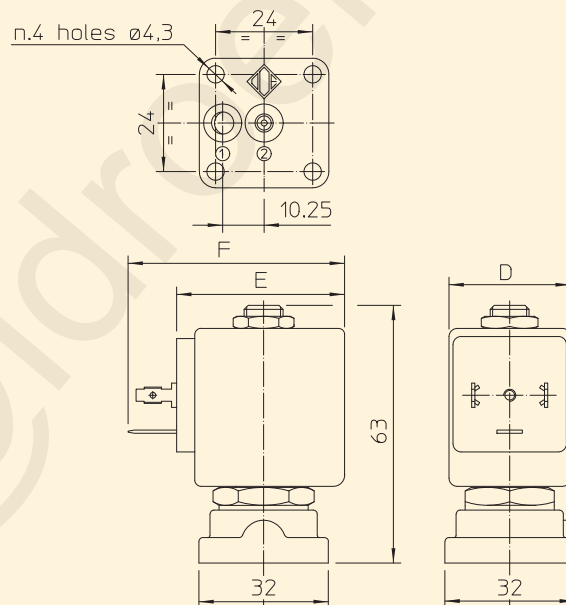
Electrical conformity	IEC 335
Protection degree	IP 65 EN 60529 (DIN 40050) with coil fitted by connector.

SPARE PARTS:

- Coil:**
See coils list
- Complete plunger:**
Code R450886/FLT
- Complete armature tube:**
Code R450811
- Gasket O-Ring:**
Code R990002/FLT



DIMENSIONS:



COIL TYPE	POWER ABSORPTION			DIMENSIONS		
	W =	Hold VA ~	Inrush VA ~	D mm	E mm	F mm
B	8	14,5	25	30	42	54