



Solenoid valve 2/2 way N.C. Direct acting

212A3KB15
÷
212A2KB55

PRESENTATION:

Direct acting S.V. for interception of fluids compatible with the construction materials.

Minimum operational pressure is not required.

The materials used and the tests carried out ensure maximum reliability and duration.

USE: Automation
Heating

PIPES: G 1/8 - G 1/4

COILS: 8W - Ø 13
BDA - BSA 155°C (class F)
BDV 180°C (class H)
12W - Ø 13
UDA 155°C (class F)
14W - Ø 13
GDH - GDV 180°C (class H)

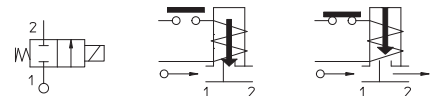
COIL HOUSING AND COIL FORMER MATERIAL ARE MADE BY 100% VIRGIN MATERIAL.



Max. allowable pressure (PS) 40 bar
Ambient temperature:
See coils catalogue page for its compatibility.

Gaskets	Temperature	Medium
B=NBR (nitrile rubber)	- 10°C + 90°C	Air, inert gas, water

For seals other than NBR replace the letter "B" with the ones corresponding to the other seals. E.I. 212A2KV15.



Pipe ISO 228/1	Code	Max viscosity		Ø mm	Kv l/mn	Power watt	Pressure				
		cSt	°E				min bar	M.O.P.D. AC bar DC bar			
G 1/8	212A3KB15	12	~ 2	1,5	1,4	8	0	30	18		
	212A3KB20	37	~ 5	2	2	12		22	16		
						14		35	30		
	212A3KB25	53	~ 7	2,5	3,2	8		14	9		
						12		30	25		
	212A3KB30	53	~ 7	3	4	8		10	6		
						12		25	18		
	212A3KB45	53	~ 7	4,5	6,5	14		25	20		
						8		5	2		
	G 1/4	212A2KB15	12	~ 2	1,5	1,4		8	0	30	18
		212A2KB20	37	~ 5	2	2		12		22	16
								14		35	30
212A2KB25		53	~ 7	2,5	3,2	8	14	9			
						12	30	25			
212A2KB30		53	~ 7	3	4	8	10	6			
						12	25	18			
212A2KB45		53	~ 7	4,5	6,5	14	25	20			
						8	5	2			
212A2KB55		53	~ 7	5,5	9	8	12	7			
						12	3	1			
							14	7		8	
						12	3	1			
						14	7	2,5			
						14	10	5			

IDROENERGIAITALIA
Master distributor ODE
Sede Legale
Registered Office

00195 Roma (RM) Via Carlo Mirabello, 14

Ufficio Commerciale e sede logistica
Commercial and Logistic Office
73100 Lecce (LE) - Via Parini, 48
Tel: +39 0832090005

e-mail: info@idroenergiaitalia.
negozi@elettrovalvole.info

MATERIALS:

Body	Brass - UNI EN 12165 CW617N
Welded armature tube	Stainless steel AISI series 300 + Brass - UNI EN 12165 CW617N
Fixed core	Stainless steel AISI series 400
Plunger	Stainless steel AISI series 400
Phase displacement ring	Copper - Cu 99,9%
Spring	Stainless steel AISI series 300
Seal	Standard: B=NBR

Orifice:	
< 3 mm	Insert slot
> 3 mm	Stainless steel AISI series 300 Brass - UNI EN 12165 CW617N

On request:	
Connector	Pg 9 or Pg 11
Connector conformity	ISO 4400

FEATURES:

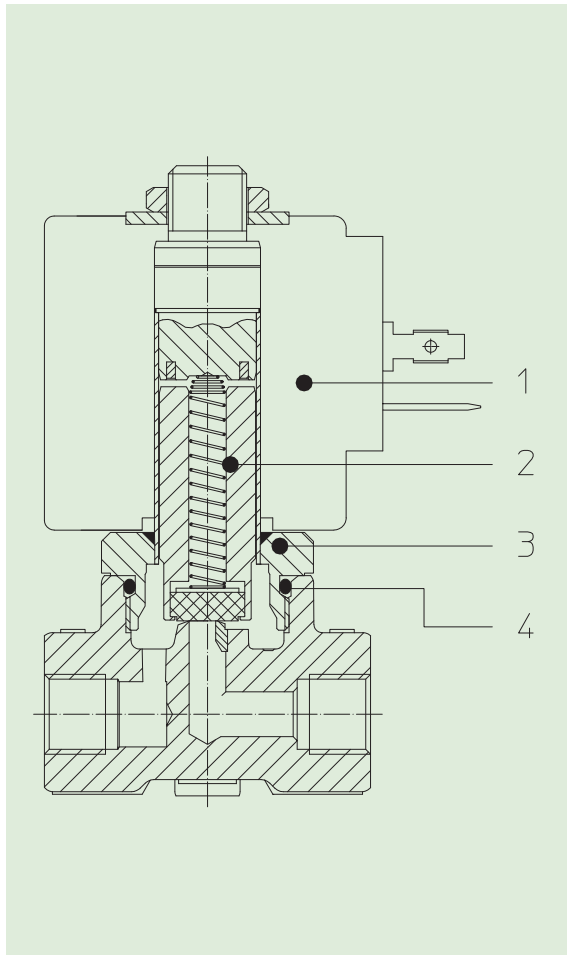
Electrical conformity	IEC 335
Protection degree	IP 65 EN 60529 (DIN 40050) with coil fitted by connector.

SPARE PARTS:

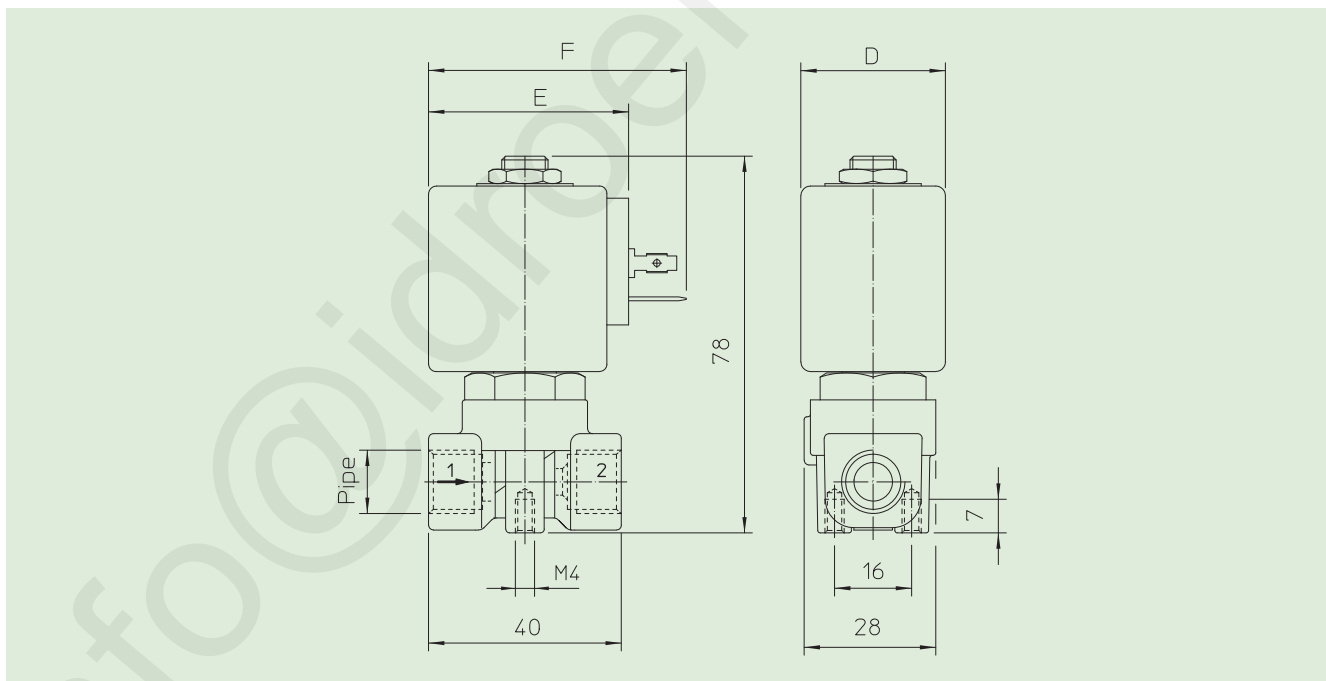
- Coil:**
See coils list
- Complete plunger:** Code R450898/**B**
- Complete armature tube:**
Code R450691
- Gasket O-Ring:**
Code R990000/**B**

KIT:

KS130KB55-F= **2+3+4**



DIMENSIONS:



Type	Pipe ISO 228/1
212A3KB	G 1/8
212A2KB	G 1/4

COIL TYPE	POWER ABSORPTION			DIMENSIONS		
	W ==	Hold VA ~	Inrush VA ~	D mm	E mm	F mm
B	8	14,5	25	30	42	54
U	12	23	35	36	48	60
G	14	27	43	52	55	67