

MATERIALS:

Body Brass - UNI EN 12165 CW617N
Armature tube Stainless steel AISI series 300
Fixed core Stainless steel AISI series 400
Plunger Stainless steel AISI series 400
Phase displacement ring Copper - Cu 99,9%
Spring Stainless steel AISI series 300(
Seal Standard: pLVce

Orifice: Insert slot

Stainless steel AISI series 300

On request:

Pg 9 or Pg 11

Connector

Connector conformity

ISO 4400

FEATURES:

Electrical conformity

IEC 335

Protection degree

IP 65 EN 60529 (DIN 40050)
 with coil fitted by connector.

SPARE PARTS:

:7 Coil:

See coils list

KIT:(

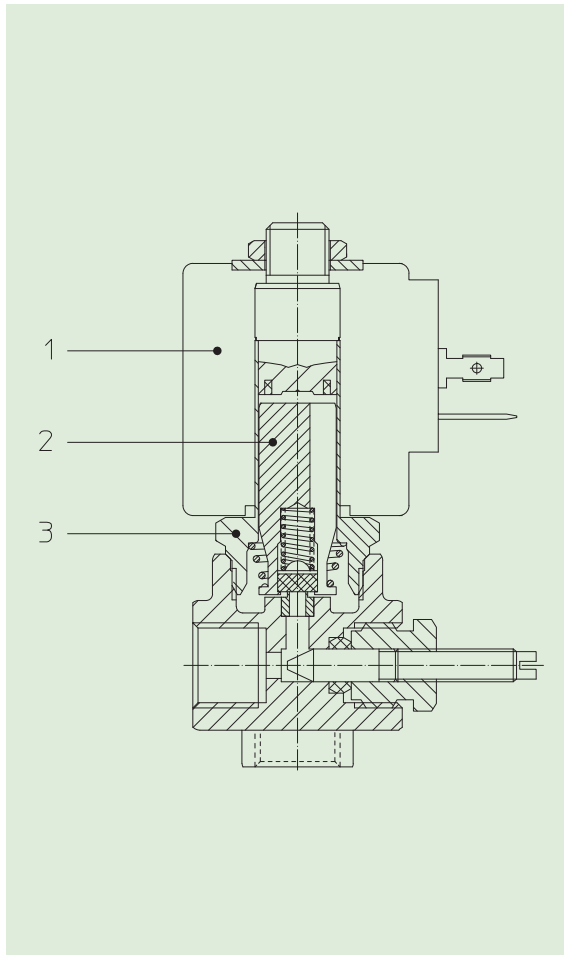
KIT: Kp30 A=2+3

=7 Complete plunger: .Code

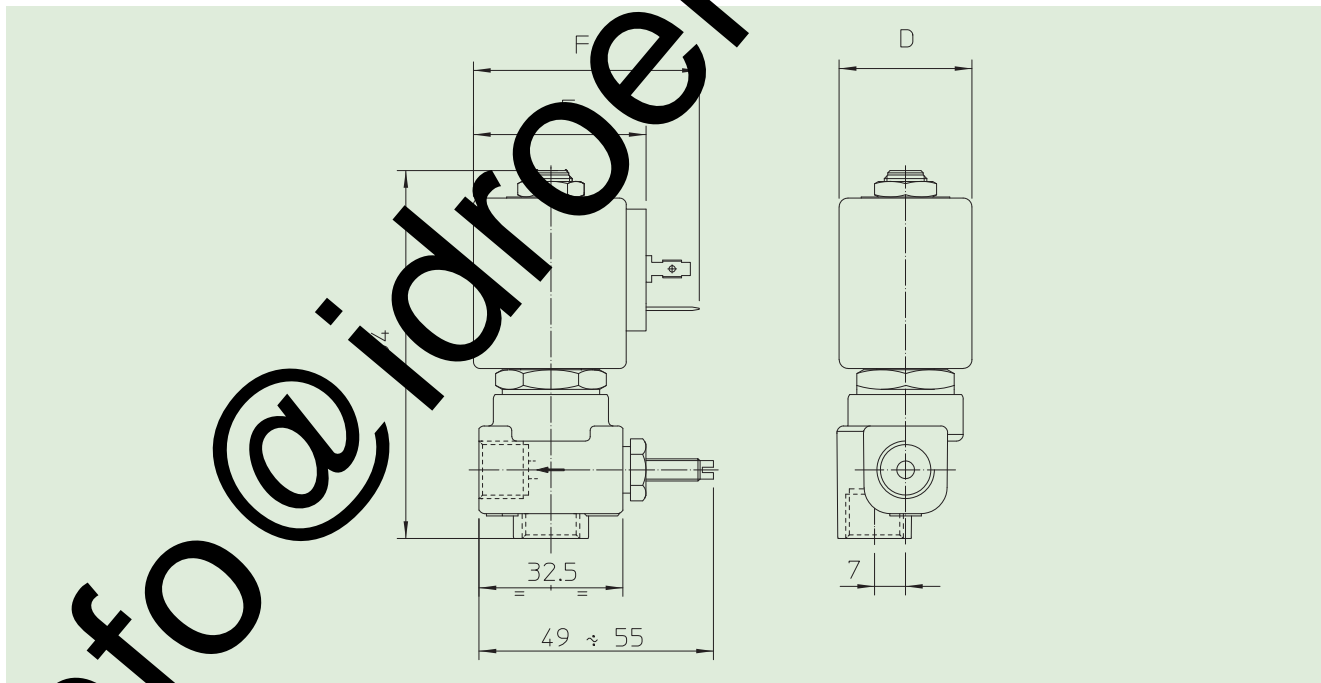
R450886/p

A7 Complete armature tube: .Code

Code R450606



DIMENSIONS:



COIL TYPE	POWER ABSORPTION			DIMENSIONS		
	W ---	Hold VA ~	Inrush VA ~	D mm	E mm	F mm
B	8	14,5	25	30	42	54

info@idroenergiaitalia.it