



Solenoid valve 2/2 way N.C. Direct acting

21A5KV45-W

÷

21A8KV80-W

PRESENTATION:

Direct acting S.V. for interception of fluids compatible with the construction materials.
Minimum operational pressure is not required.
The materials used and the tests carried out ensure maximum reliability and duration.

USE: Automation
Heating

PIPES: G 3/8 - G 1/2

COILS:

8W - Ø 13	
BDA - BSA	155°C (class F)
BDV	180°C (class H)
12W - Ø 13	
UDA	155°C (class F)
14W - Ø 13	
GDH - GDV	180°C (class H)

COIL HOUSING AND COIL FORMER MATERIAL ARE MADE BY 100% VIRGIN MATERIAL.

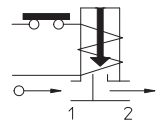
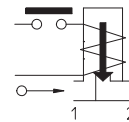
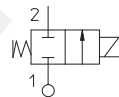
Max. allowable pressure (PS) 40 bar

Ambient temperature:

See coils catalogue page for its compatibility.

Gaskets	Temperature		Medium
V=FKM (fluoroelastomer)	- 10°C	+140°C	Mineral oils (2°E), gasoline gas oil, fuel oils (7°E)

For seals other than FKM replace the letter "V" with the ones corresponding to the other seals. E.I. 21A5KB55-W.



Pipe ISO 228/1	Code	Max viscosity		Ø mm	Kv l/mn	Power watt	Pressure				
		cSt	°E				min bar	M.O.P.D.			
								AC bar	DC bar		
G 3/8	21A5KV45-W	53	~ 7	4,5	6,5	8	0	10	5		
						12		17	8		
						14		18	10		
	21A5KV55-W					8		7	2		
						12		10	3,5		
						14		13	7		
G 1/2	21A8KV45-W	53	~ 7	4,5	6,5	8	0	10	5		
						12		17	8		
						14		18	10		
	21A8KV55-W			5,5	9	8		0	7	2	
						12			10	3,5	
						14			13	7	
	21A8KV80-W			8	15	8		0	8	1	0,5

IDROENERGIAITALIA

Master distributor ODE

Sede Legale

Registered Office

00195 Roma (RM) Via Carlo Mirabello, 14

Ufficio Commerciale e sede logistica

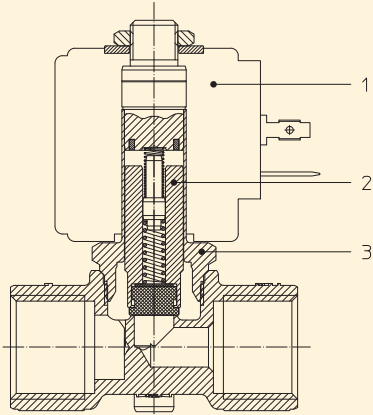
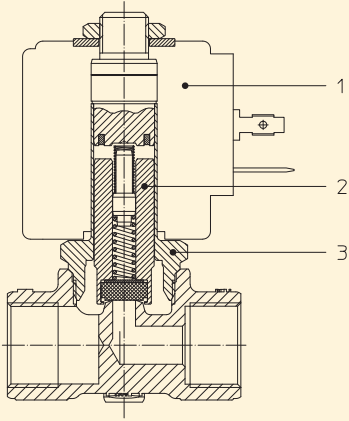
Commercial and Logistic Office

73100 Lecce (LE) - Via Parini, 48

Tel: +39 0832090005

e-mail: info@idroenergiaitalia.

negozio@elettrovalvole.info



MATERIALS:

Body Brass - UNI EN 12165 CW617N
Armature tube Stainless steel AISI series 300
Fixed core Stainless steel AISI series 400
Plunger Stainless steel AISI series 400
Phase displacement ring Copper - Cu 99,9%
Spring Stainless steel AISI series 300
Seal Standard: V=FKM
 On request: B=NBR E=EPDM
Orifice Brass - UNI EN 12165 CW617N

On request:
Connector Pg 9 or Pg 11
Connector conformity ISO 4400

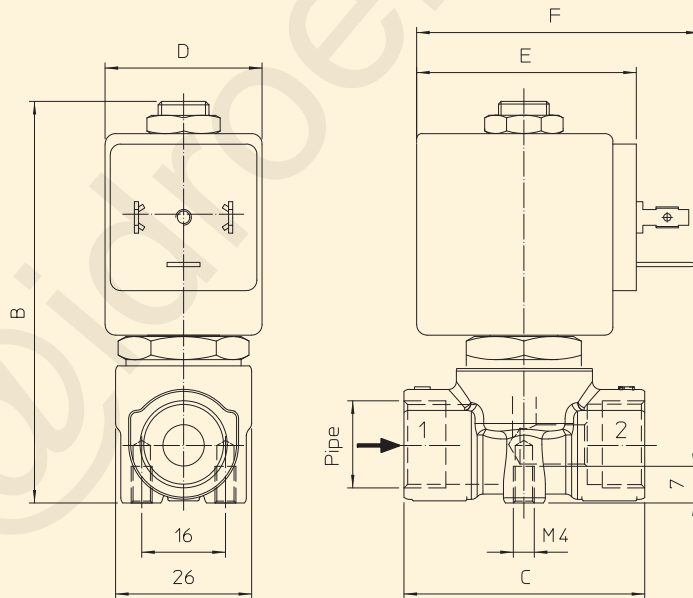
FEATURES:

Electrical conformity IEC 335
Protection degree IP 65 EN 60529 (DIN 40050)
 with coil fitted by connector.

SPARE PARTS:

- | | |
|--------------------------------------------------------------------------|-------------------------------|
| 1. Coil:
See coils list | KIT:
>3 ≤ 5,5 mm |
| 2. Complete plunger:
For orifice >3 ≤ 5,5 mm
Code R453494/V | KT130KV55-AM =2+3
> 5,5 mm |
| For orifice > 5,5 mm
Code R453314/V | KT130KV85-AM =2+3 |
| 3. Complete armature tube:
Code R450606 | |

DIMENSIONS:



Type	Pipe ISO 228/1	B mm	C mm
21A5KV-W	G 3/8	77	46
21A8KV-W	G 1/2		
21A8KV80-W		80	58

COIL TYPE	POWER ABSORPTION			DIMENSIONS		
	W ==	Hold VA ~	Inrush VA ~	D mm	E mm	F mm
B	8	14,5	25	30	42	54
U	12	23	35	36	48	60
G	14	27	43	52	55	67