



# Solenoid valve 2/2 way N.C. Direct acting

21AN1K0V15

÷

21AN2K0V55

## PRESENTATION:

Direct acting S.V. for interception of fluids compatible with the construction materials.

Minimum operational pressure is not required.

The materials used and the tests carried out ensure maximum reliability and duration.

**USE:** Automation  
Heating

**PIPES:** 1/8 NPT - 1/4 NPT

**COILS:** 8W - Ø 13 (1)  
BDA - BSA 155°C (class F)  
BDV 180°C (class H)  
12W - Ø 13  
UDA 155°C (class F)  
14W - Ø 13  
GDH - GDV 180°C (class H)  
(1) Explosion-proof housing for coils with electrical connections EN 175301-803 on request.

**COIL HOUSING AND COIL FORMER MATERIAL ARE MADE BY 100% VIRGIN MATERIAL.**

Gaskets	Temperature		Medium
V=FKM (fluoroelastomer)	- 10°C	+140°C	Mineral oils (2°E), gasoline gas oil, fuel oils (7°E)

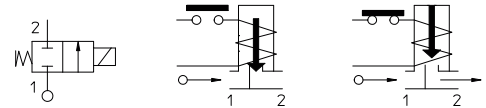


Max. allowable pressure (PS) 40 bar

Ambient temperature:

See coils catalogue page for its compatibility..

For seals other than FKM replace the letter "V" with the ones corresponding to the other seals. E.I.21AN2K0B15.



Pipe ANSI/ASME BI.20.1	Code	Max viscosity		Ø mm	Kv l/mn	Power watt	Pressure		
		cSt	°E				min bar	M.O.P.D. AC bar DC bar	
1/8 NPT	21AN1K0V15	12	~ 2	1,5	1,4	8	0	30	18
	21AN1K0V20	37	~ 5	2	2	12		22	16
						14		35	30
						8		14	9
	21AN1K0V25	53	~ 7	2,5	3,2	12		30	25
						14		10	6
						8		25	18
	21AN1K0V30	53	~ 7	3	4	12		20	18
						14		5	2
						8		12	7
	21AN1K0V45	53	~ 7	4,5	6,5	12		7	8
						14		12	8
8						30	18		
1/4 NPT	21AN2K0V15	12	~ 2	1,5	1,4	8	0	30	18
	21AN2K0V20	37	~ 5	2	2	12		22	16
						14		35	30
						8		14	9
	21AN2K0V25	53	~ 7	2,5	3,2	12		30	25
						14		10	6
						8		25	18
	21AN2K0V30	53	~ 7	3	4	12		20	18
						14		5	2
						8		12	7
	21AN2K0V45	53	~ 7	4,5	6,5	12		7	8
						14		12	8
8						3	1		
21AN2K0V55	53	~ 7	5,5	9	12	7	2,5		
					14	10	5		
					8	10	5		

**Note** Also available with brass body without lead.

### MATERIALS:

<b>Body</b>	Brass - UNI EN 12165 CW617N
<b>Armature tube</b>	Stainless steel AISI series 300
<b>Fixed core</b>	Stainless steel AISI series 400
<b>Plunger</b>	Stainless steel AISI series 400
<b>Phase displacement ring</b>	Copper - Cu 99,9%
<b>Spring</b>	Stainless steel AISI series 300
<b>Seal</b>	Standard: V=FKM On request: B=NBR E=EPDM

<b>Orifice:</b>	
≤ 3 mm	Stainless steel AISI series 300
> 3 mm	Brass - UNI EN 12165 CW617N

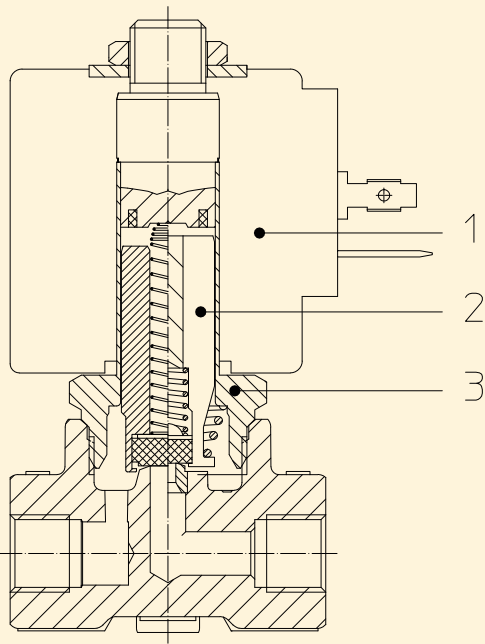
<b>On request:</b>	Pg 9 or Pg 11
<b>Connector</b>	ISO 4400
<b>Connector conformity</b>	

### FEATURES:

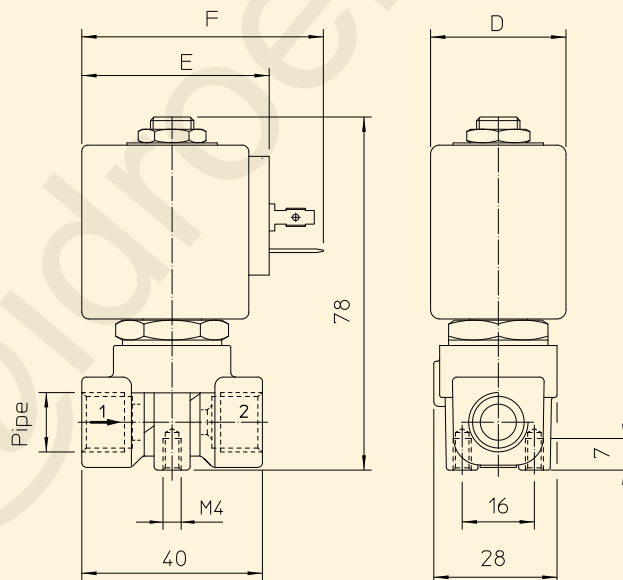
<b>Electrical conformity</b>	IEC 335
<b>Protection degree</b>	IP 65 EN 60529 (DIN 40050) with coil fitted by connector.

### SPARE PARTS:

- |                                   |                    |                 |
|-----------------------------------|--------------------|-----------------|
| <b>1. Coil:</b>                   | See coils list     | <b>KIT:</b>     |
|                                   |                    | ≤ 3 mm          |
| <b>2. Complete plunger:</b>       | For orifice ≤ 3 mm | KT130KV30-A=2+3 |
|                                   | Code R450886/V     | > 3 mm          |
|                                   | For orifice > 3 mm | KT130KV55-A=2+3 |
|                                   | Code R450898/V     |                 |
| <b>3. Complete armature tube:</b> |                    |                 |
|                                   | Code R450606       |                 |



### DIMENSIONS:



Type	Pipe ANSI/ASME B1.20.1
21AN10KV	G 1/8
21AN20KV	G 1/4

COIL TYPE	POWER ABSORPTION			DIMENSIONS		
	W ---	Hold VA ~	Inrush VA ~	D mm	E mm	F mm
B	8	14,5	25	30	42	54
U	12	23	35	36	48	60
G	14	27	43	52	55	67