



Solenoid valve 2/2 way N.O. Direct acting

21A3ZR15D
÷
21A2ZR30G

PRESENTATION:

Direct acting S.V. for interception of fluids compatible with the construction materials.

Minimum operational pressure is not required.

The materials used and the tests carries out ensure maximum reliability and duration.

USE: Hot water, Heating
Steam (180°C)

PIPES: G 1/8 - G 1/4

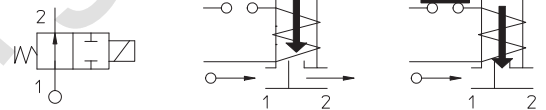
COILS:
8W - Ø 13
BDA - BSA 155°C (class F)
BDV 180°C (class H)
12W - Ø 13
UDA 155°C (class F)
14W - Ø 13
GDH - GDV 180°C (class H)

**COIL HOUSING AND COIL FORMER MATERIAL ARE
MADE BY 100% VIRGIN MATERIAL.**

Max. allowable pressure (PS) 40 bar

Ambient temperature:

See coils catalogue page for its compatibility.



Gaskets	Temperature		Medium
R=RUBY	- 40°C	+180°C	Steam, water, mineral oils (2°E), gas oil, fuel oils (7°E)

Pipe ISO 228/1	Code	Max viscosity		Ø mm	Kv l/mn	Power watt	Pressure		
		cSt	°E				min bar	M.O.P.D. AC bar DC bar	
G 1/8	21A3ZR15D	12	~ 2	1,5	1,4	8	0	35	35
	21A3ZR20D	37	~ 5	2	2			30	30
	21A3ZR25D	53	~ 7	2,5	3,2			16	16
	21A3ZR25G					12		17	17
	21A3ZR30D					14		10	10
	21A3ZR30G	8	15	15					
G 1/4	21A2ZR15D	12	~ 2	1,5	1,4	8	0	35	35
	21A2ZR20D	37	~ 5	2	2			30	30
	21A2ZR25D	53	~ 7	2,5	3,2			16	16
	21A2ZR25G					12		17	17
	21A2ZR30D					14		10	10
	21A2ZR30G	8	15	15					
				3	4	12			
						14			

IDROENERGIAITALIA

Master distributor ODE

Sede Legale

Registered Office

00195 Roma (RM) Via Carlo Mirabello, 14

Ufficio Commerciale e sede logistica

Commercial and Logistic Office

73100 Lecce (LE) - Via Parini, 48

Tel: +39 0832090005

e-mail: info@idroenergiaitalia.

negozio@elettrovalvole.info

MATERIALS:

Body	Brass - UNI EN 12165 CW617N
Armature tube	Stainless steel AISI series 300
Fixed core	Stainless steel AISI series 400
Plunger	Stainless steel AISI series 400
Phase displacement ring	Copper - Cu 99,9%
Spring	Stainless steel AISI series 300
Seal	R=RUBY
Orifice: Insert slot	Stainless steel AISI series 300

On request:

Connector	Pg 9 or Pg 11
Connector conformity	ISO 4400

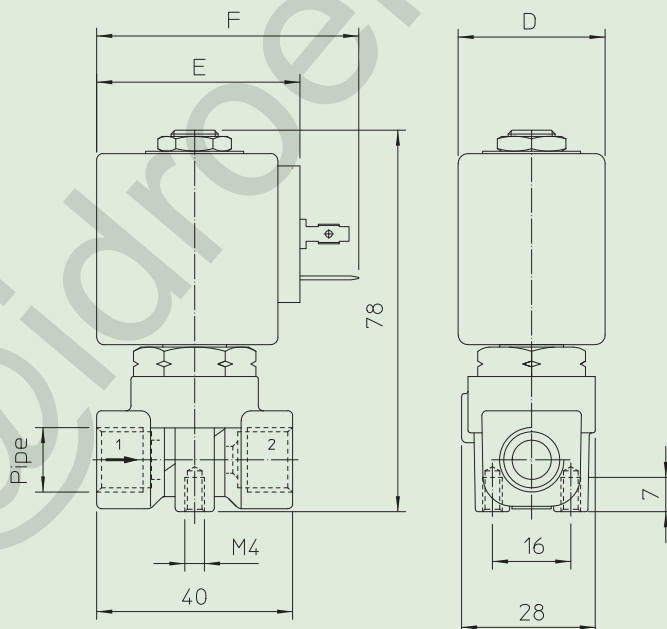
FEATURES:

Electrical conformity	IEC 335
Protection degree	IP 65 EN 60529 (DIN 40050) with coil fitted by connector.

SPARE PARTS:

1. Coil: See coils list	KIT: 8W
2. Complete diaphragm support: 8W Code R450789 12W - 14W Code R450789/14	KT130ZR30-F=2+3+4 12W - 14W KT130ZR30-G=2+3+4
3. Complete armature tube without gasket: Code R450573	
4. Gasket O-Ring: Code R990000/V	

DIMENSIONS:



Type	Pipe ISO 228/1
21A3ZR	G 1/8
21A2ZR	G 1/4

COIL TYPE	POWER ABSORPTION			DIMENSIONS		
	W ==	Hold VA ~	Inrush VA ~	D mm	E mm	F mm
B	8	14,5	25	30	42	54
U	12	23	35	36	48	60
G	14	27	43	52	55	67