



Solenoid valve 2/2 way N.O. With piston pilot control

21A2W0F55-PW

PRESENTATION:

S.V. with pilot control for interception of fluid compatible with the construction materials.

A minimum operational pressure of 0,5 bar is required.

The materials used and the tests carried out ensure maximum reliability and duration.

These solenoid valves are not suitable for stagnating fluids, or for fluids that being subject to evaporation may deposit solid, calcareous or similar residues.

USE: Automation - Compressors
Heating

PIPES: G 1/4

COILS: 5W - Ø 10
LBA 155°C (class F)

**COIL HOUSING AND COIL FORMER MATERIAL ARE
MADE BY 100% VIRGIN MATERIAL.**

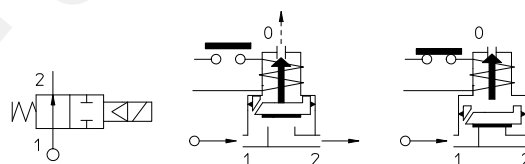
Max. allowable pressure (PS) 25 bar

Ambient temperature:

See coils catalogue page for its compatibility.



Gaskets	Temperature		Medium
F=H-NBR (hydrogenated nitrile)	- 10°C	+140°C	Air, inert gas, water



Pipe ISO 228/1	Code	Max viscosity		Ø mm	Kv l/mn	Power watt	Pressure		
		cSt	°E				min bar	M.O.P.D. AC bar DC bar	
G 1/4	21A2W0F55-PW	53	~ 7	5,5*	9	5	0,5	12	-

Note

* 3rd way exhaust = = Ø 1,5 mm

IDROENERGIAITALIA

Master distributor ODE

Sede Legale

Registered Office

00195 Roma (RM) Via Carlo Mirabello, 14

Ufficio Commerciale e sede logistica

Commercial and Logistic Office

73100 Lecce (LE) - Via Parini, 48

Tel: +39 0832090005

e-mail: info@idroenergiaitalia.

negozio@elettrovalvole.info

MATERIALS:

Body	Brass - UNI EN 12165 CW617N
Armature tube	Stainless steel AISI series 300
Fixed core	Stainless steel AISI series 400
Plunger	Stainless steel AISI series 400
Phase displacement ring	Copper - Cu 99,9%
Spring	Stainless steel AISI series 300
Seal	F=H-NBR
Orifice	Brass - UNI EN 12165 CW617N

On request:

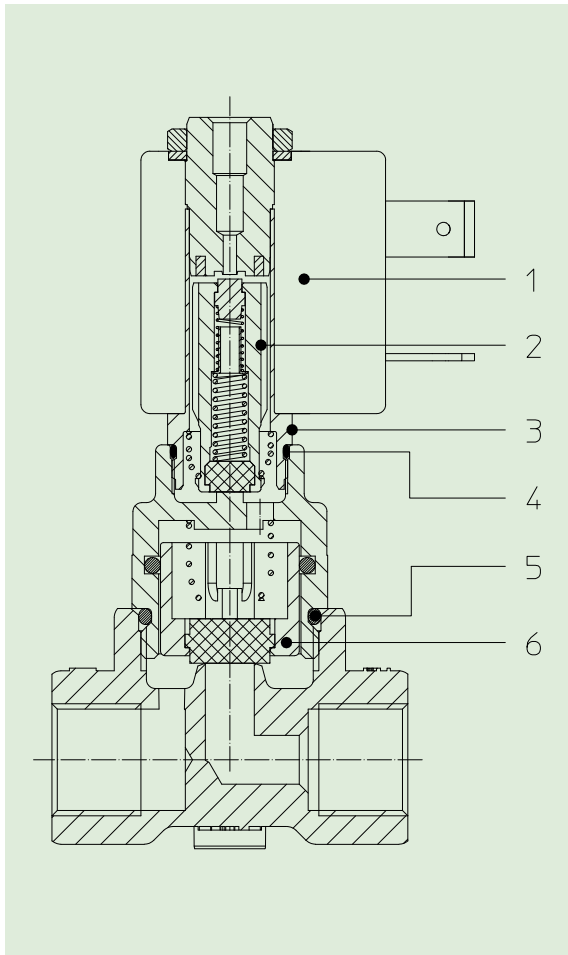
Connector	Pg 9 o Pg 11
Connector conformity	ISO 4400

FEATURES:

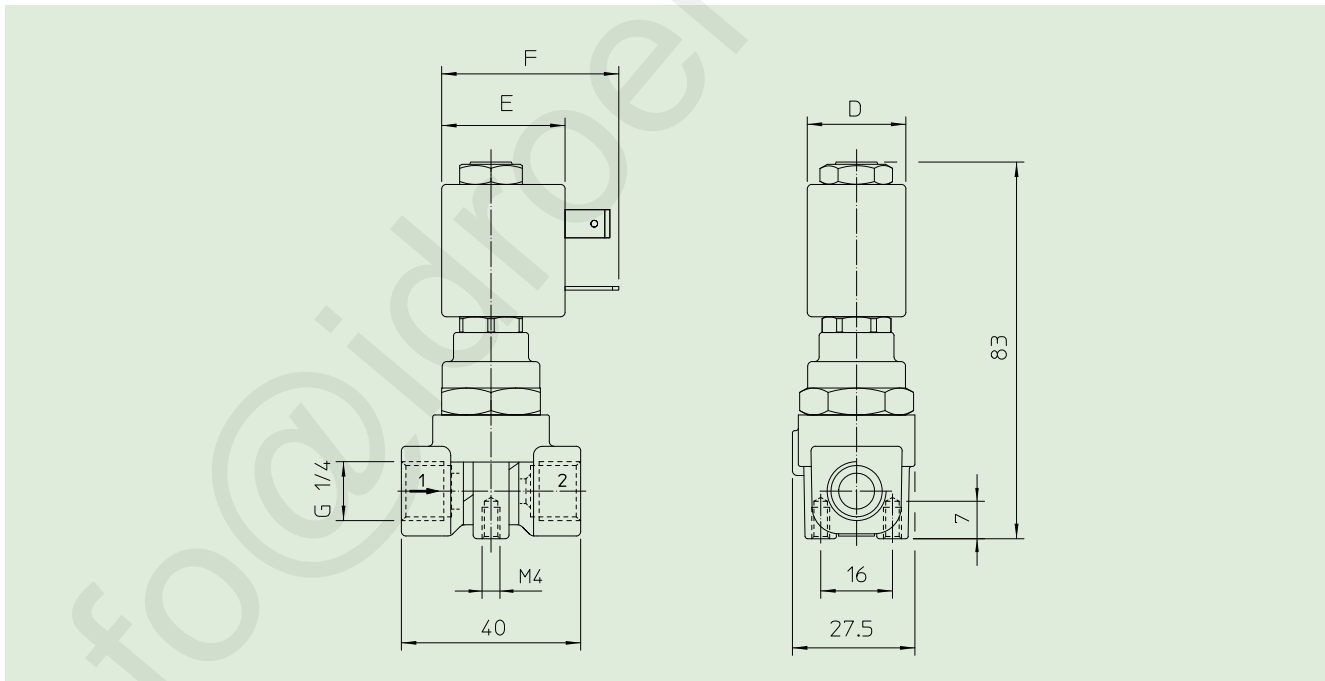
Electrical conformity	IEC 335
Protection degree	IP 65 EN 60529 (DIN 40050) with coil fitted by connector.

SPARE PARTS:

- | | |
|---|--|
| 1. Coil:
See coils list | 6. Complete piston:
Code R452297/F |
| 2. Complete plunger:
Code R452061/V | KIT:
5W
KT100W0V25-FJ=2+3+4 |
| 3. Complete armature tube:
Code R452074 | |
| 4. Gasket O-Ring:
Code R990597/V | |
| 5. Gasket O-Ring:
Code R990000/V | |



DIMENSIONS:



COIL TYPE	POWER ABSORPTION			DIMENSIONS		
	W ---	Hold VA ~	Inrush VA ~	D mm	E mm	F mm
L	5	10	15	22	27,5	39,5