

**Solenoid valve 316 stainless steel Chemicals  
hot water steam 140 degrees Normally closed,  
Direct acting, PTFE = Teflon gasket**

**21L1K1T25  
÷  
21L1K1T40**

**PRESENTATION:**

Direct acting S.V. for interception of fluids compatible with the construction materials.

Minimum operational pressure is not required.

The materials used and the tests carried out ensure maximum reliability and duration.

**USE** Chemistry - Products compatible with stainless steel and Teflon

**PIPES:** G 1/8

**COILS:**

8W - Ø 13	
BDA - BSA	155°C (class F)
BDV	180°C (class H)
12W - Ø 13	
UDA	155°C (class F)
14W - Ø 13	
GDH - GDV	180°C (class H)

**COIL HOUSING AND COIL FORMER MATERIAL ARE  
MADE BY 100% VIRGIN MATERIAL.**

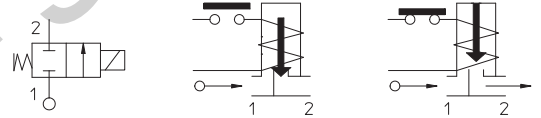
Max. allowable pressure (PS) 40 bar

Ambient temperature:

See coils catalogue page for its compatibility.



Gaskets	Temperature	Medium
T=PTFE (polytetrafluorethylen)	- 40°C + 180°C	Demineralized water, steam, syrups, chemical products compatible with stainless steel



Pipe ISO 228/1	Code	Max viscosity		Ø mm	Kv l/mn	Power watt	Pressure		
		cSt	°E				min bar	M.O.P.D.	
								AC bar	DC bar
G 1/8	21L1K1T25	53	~ 7	2,5	3,2	8	0	14	9
						12		30	25
						14		10	6
	21L1K1T30					8		25	17
						12		20	
						14		6	1,7
	21L1K1T40			4	5	8	15	6	1,7
						12		6	
						14		8	

**IDROENERGIAITALIA**

Master distributor ODE

Sede Legale

Registered Office

00195 Roma (RM) Via Carlo Mirabello, 14

Ufficio Commerciale e sede logistica

Commercial and Logistic Office

73100 Lecce (LE) - Via Parini, 48

Tel: +39 0832090005

e-mail: info@idroenergiaitalia.it

negozio@elettrovalvole.info

## MATERIALS:

<b>Body</b>	Stainless steel AISI 316
<b>Armature tube</b>	Stainless steel AISI series 300
<b>Fixed core</b>	Stainless steel AISI series 400
<b>Plunger</b>	Stainless steel AISI series 400
<b>Phase displacement ring</b>	Gold plated copper
<b>Spring</b>	Stainless steel AISI series 300
<b>Seal</b>	T=PTFE
<b>Orifice</b>	Stainless steel AISI 316

## On request:

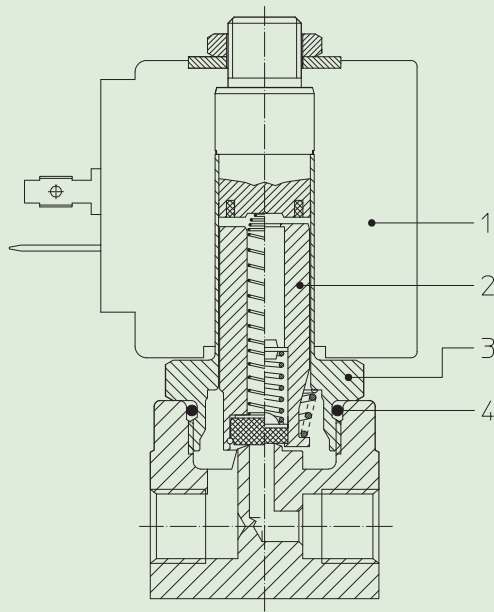
<b>Connector</b>	Pg 9 or Pg 11
<b>Connector conformity</b>	ISO 4400

## FEATURES

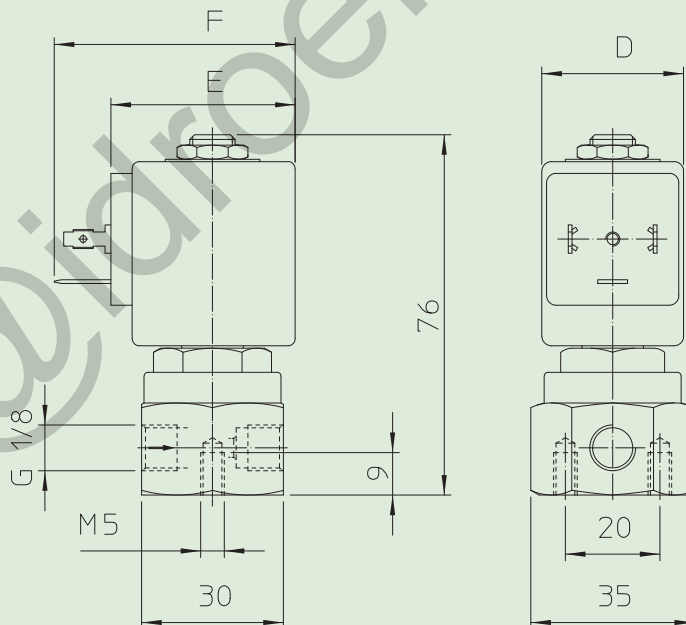
<b>Electrical conformity</b>	IEC 335
<b>Protection degree</b>	IP 65 EN 60529 (DIN 40050) with coil fitted by connector.

## SPARE PARTS:

- |                                                                                                                    |                                                              |
|--------------------------------------------------------------------------------------------------------------------|--------------------------------------------------------------|
| <b>1. Coil:</b><br>See coils list                                                                                  | <b>KIT:</b><br>Orifice $\leq 3$ mm                           |
| <b>2. Complete plunger:</b><br>For orifice $\leq 3$ mm<br>Code R450886/T<br>For orifice $> 3$ mm<br>Code R451234/T | KT130K T30-H=2+3+4<br>Orifice $> 3$ mm<br>KT130K T55-H=2+3+4 |
| <b>3. Complete armature tube without gasket:</b><br>Code R450811                                                   |                                                              |
| <b>4. Gasket O-Ring:</b><br>Code R990000/T                                                                         |                                                              |



## DIMENSIONS:



COIL TYPE	POWER ABSORPTION			DIMENSIONS		
	W ==	Hold VA ~	Inrush VA ~	D mm	E mm	F mm
B	8	14,5	25	30	42	54
U	12	23	35	36	48	60
G	14	27	43	52	55	67