



# Solenoid valve 2/2 way N.O. Direct acting

21A5ZB45D  
÷  
21A8ZB55G

## PRESENTATION:

Direct acting S.V. for interception of fluids compatible with the construction materials.

Minimum operational pressure is not required.

The materials used and the tests carried out ensure maximum reliability and duration.

**USE:** Automation  
Heating

**PIPES:** G 3/8 - G 1/2

**COILS:**

8W - Ø 13	
BDA - BSA	155°C (class F)
BDV	180°C (class H)
12W - Ø 13	
UDA	155°C (class F)
14W - Ø 13	
GDH - GDV	180°C (class H)

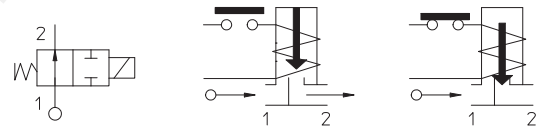
**COIL HOUSING AND COIL FORMER MATERIAL ARE MADE BY 100% VIRGIN MATERIAL.**

Max. allowable pressure (PS) 40 bar

Ambient temperature:

See coils catalogue page for its compatibility.

Gaskets	Temperature		Medium
B=NBR (nitrile rubber)	- 10°C	+ 90°C	Air, inert gas, water



For seals other than FKM replace the letter "B" with the ones corresponding to the other seals. E.I. 21A5ZV45D.

Pipe ISO 228/1	Code	Max viscosity		Ø mm	Kv l/mn	Power watt	Pressure					
		cSt	°E				min bar	M.O.P.D.				
								AC bar	DC bar			
G 3/8	21A5ZB45D	53	~ 7	4,5	6,5	8	0	4	4			
	21A5ZB45G					12		6	-			
	21A5ZB55D					14		6	6			
	21A5ZB55G				8	2,5		2,5				
G 1/2	21A5ZB55G			53	~ 7	5,5		9	12	0	3,5	-
	21A8ZB45D								14		3,5	3,5
	21A8ZB45G					8			4		4	
	21A8ZB55D					4,5		6,5	12		6	-
		14	6				6					
		8	2,5				2,5					
	21A8ZB55G	5,5	9			12	3,5	-				
						14	3,5	3,5				
8				3,5	3,5							

**IDROENERGIAITALIA**

Master distributor ODE

Sede Legale

Registered Office

00195 Roma (RM) Via Carlo Mirabello, 14

Ufficio Commerciale e sede logistica

Commercial and Logistic Office

73100 Lecce (LE) - Via Parini, 48

Tel: +39 0832090005

e-mail: info@idroenergiaitalia.

negozio@elettrovalvole.info

## MATERIALS::

<b>Body</b>	Brass - UNI EN 12165 CW617N
<b>Armature tube</b>	Stainless steel AISI series 400
<b>Fixed core</b>	Stainless steel AISI series 400
<b>Plunger</b>	Stainless steel AISI series 400
<b>Phase displacement ring</b>	Copper - Cu 99,9%
<b>Spring</b>	Stainless steel AISI series 300
<b>Seal</b>	Standard: B=NBR

**Orifice** Brass - UNI EN 12165 CW617N

**On request:**

**Connector** Pg 9 or Pg 11  
**Connector conformity** ISO 4400

## FEATURES:

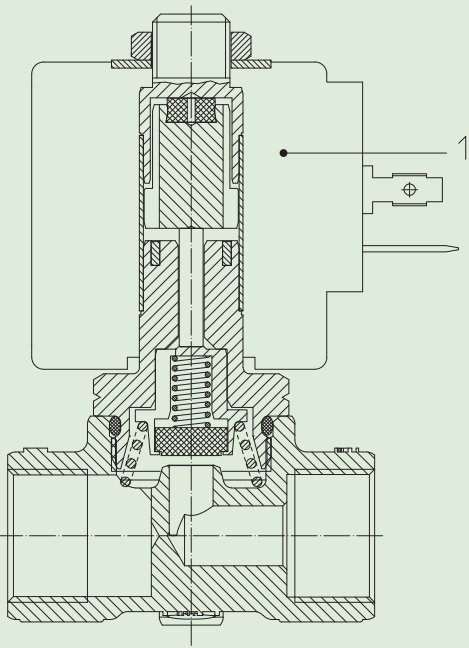
**Electrical conformity** IEC 335  
**Protection degree** IP 65 EN 60529 (DIN 40050)  
 with coil fitted by connector.

## SPARE PARTS:

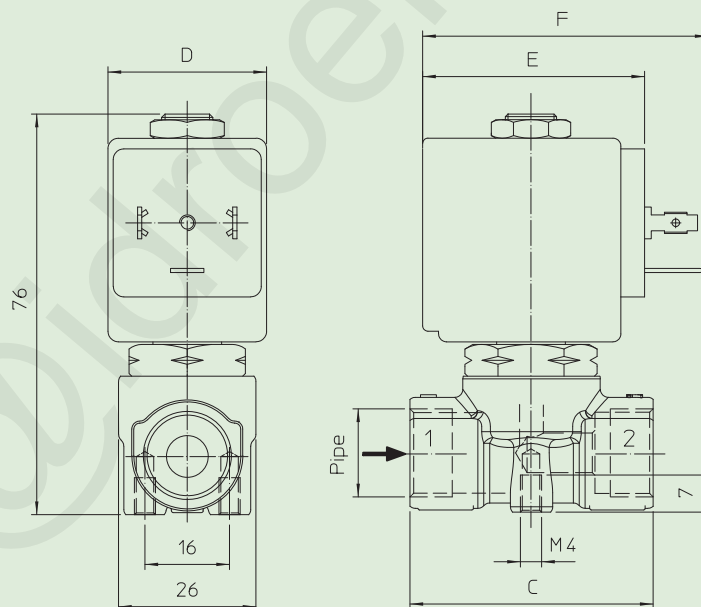
- Coil:** See coils list
- Complete diaphragm support:**
  - 8W Code R450786/B
  - 12W - 14W Code R450786/B14
- Complete armature tube without gasket:** Code R450573
- Gasket O-Ring:** Code R990000/B

## KIT:

8W  
 KT130ZB55-F=2+3+4  
 12W - 14W  
 KT130ZB55-G=2+3+4



## DIMENSIONS:



Type	Pipe ISO 228/1	C mm
21A5ZB	G 3/8	46
21A8ZB	G 1/2	58

COIL TYPE	POWER ABSORPTION			DIMENSIONS		
	W	Hold VA ~	Inrush VA ~	D mm	E mm	F mm
B	8	14,5	25	30	42	54
U	12	23	35	36	48	60
G	14	27	43	52	55	67