

**PRESENTATION:**

Direct acting S.V. for interception of fluids compatible with the construction materials.

Minimum operational pressure is not required.

The materials used and the tests carried out ensure maximum reliability and duration.

**USE:** Vending

**PIPES:** G 1/8

**COIL:** 8W - Ø 13  
 BDA - BSA 155°C (class F)  
 BDV 180°C (class H)

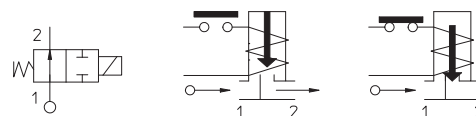
**COIL HOUSING AND COIL FORMER MATERIAL ARE MADE BY 100% VIRGIN MATERIAL.**

Max. allowable pressure (PS) 40 bar

See coils catalogue page for its compatibility.



Gaskets	Temperature		Medium
V=FKM (fluoroelastomer)	- 10°C	+ 140°C	Water, Air, Steam



Pipe ISO 228/1	Code	Max viscosity		Ø mm	Kv l/mn	Power watt	Pressure		
		cSt	°E				min bar	M.O.P.D. AC bar DC bar	
G 1/8	21A31Z1V15D-T3	12	~ 2	1,5	1,4	8	0	25	25

**Note**  
Available on request and with minimum quantities.

**IDROENERGIAITALIA**  
 Master distributor ODE  
 Sede Legale  
 Registered Office  
 00195 Roma (RM) Via Carlo Mirabello, 14

Ufficio Commerciale e sede logistica  
 Commercial and Logistic Office  
 73100 Lecce (LE) - Via Parini, 48  
 Tel: +39 0832090005  
 e-mail: info@idroenergiaitalia.it  
 negozio@elettrovalvole.info

## MATERIALS:

<b>Body</b>	Low Lead Brass
<b>Armature tube</b>	Stainless steel AISI series 300
<b>Fixed core</b>	Stainless steel AISI series 400
<b>Plunger</b>	Stainless steel AISI series 400
<b>Phase displacement ring</b>	Gold plated copper
<b>Spring</b>	Stainless steel AISI series 300
<b>Seal</b>	V=FKM
<b>Orifice: Insert slot</b>	Stainless steel AISI series 300

## On request:

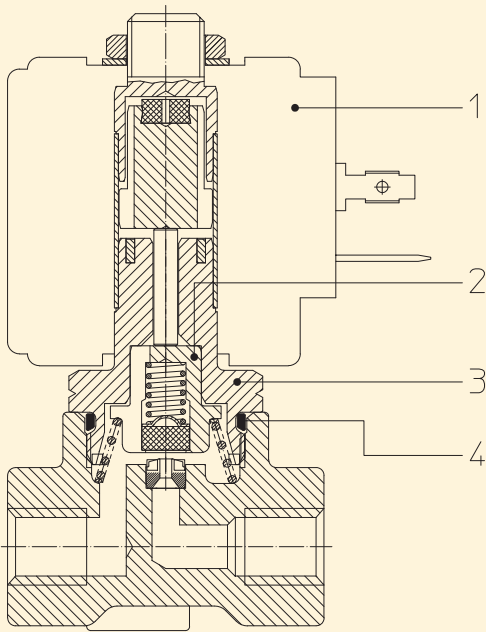
<b>Connector</b>	Pg 9 or Pg 11
<b>Connector conformity</b>	ISO 4400

## FEATURES:

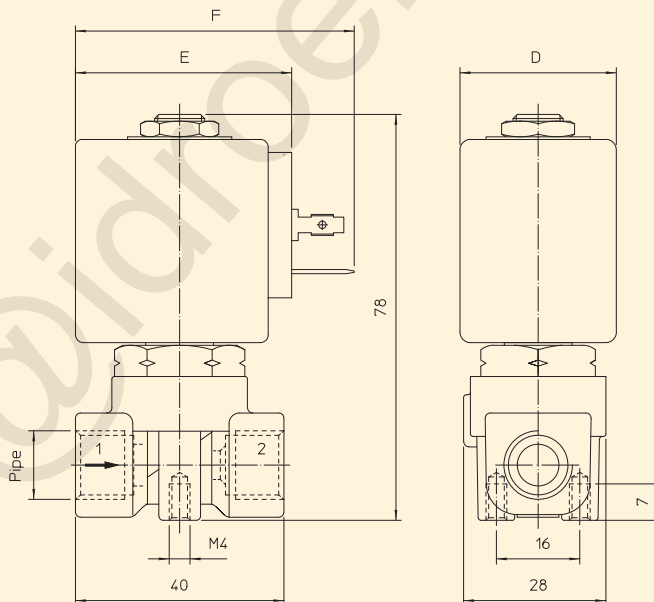
<b>Electrical conformity</b>	IEC 335
<b>Protection degree</b>	IP 65 EN 60529 (DIN 40050) with coil fitted by connector.

## SPARE PARTS:

- 1. Coil:**  
See coils list
- 2. Complete diaphragm support:**  
Code R453272/VX
- 3. Complete armature tube without gasket:**  
Code R450573/D
- 4. Gasket O-Ring:**  
Code R990000/VX



## DIMENSIONS:



COIL	POWER ABSORPTION			DIMENSIONS		
	W ==	Inrush VA ~	Hold VA ~	D mm	E mm	F mm
B	8	14,5	25	30	42	54