



Solenoid valve 3/2 way N.C. Direct acting

31APBA0V15

÷

31APBA0V30

PRESENTATION:

Direct acting S.V. for interception of fluids compatible with the construction materials.

Minimum operational pressure is not required.

The materials used and the tests carried out ensure maximum reliability and duration.

USE: Automation
Heating

PIPES: subplate mounting

COIL: 8W - Ø 13
BDA - BSA 155°C (class F)
BDV 180°C (class H)

COIL HOUSING AND COIL FORMER MATERIAL ARE MADE BY 100% VIRGIN MATERIAL.

Ambient temperature:

See coils catalogue page for its compatibility.



Gaskets	Temperature		Medium
V=FKM (fluoroelastomer)	- 10°C	+140°C	Mineral oils (2°E), gasoline gas oil, fuel oils (7°E)
B=NBR (nitrile rubber)	- 10°C	+90°C	Air, inert gas, water
E=EPDM (ethylene-propylene)	- 10°C	+140°C	Water, steam

For seals other than FKM replace the letter "V" with the ones corresponding to the other seals. E.I.31APBA0B20.

Max allowable pressure (PS) 16 bar - According to EN 60730-2-8 - Factor of safety for domestic applications equal to 5 times PS

Pipe	Code	Max viscosity		Ø mm	Kv l/mn	Power watt	Pressure		
		cSt	°E				min bar	M.O.P.D	
								AC bar	DC bar
SUBPLATE MOUNTING	31APBA0V15	12	~ 2	1,5*	1,4	8	0	16	16
	31APBA0V20	37	~ 5	2*	2			14	14
	31APBA0V25	53	~ 7	2,5*	3,2			11	11
	31APBA0V30			3*	4			5	5

Max allowable pressure (PS) 25 bar - Safety factor for industrial application equal to 3 times PS | Please consult our Technical Service.

Note

* 3rd way exhaust= Ø 2,5 mm | Coil nut assembly 2 Nm max, armature tube 4 Nm | Available also with coil Ex nA | The use of rigid sealings (Ruby or PTFE) usually implies a slight leakage, limited within 2scc/min at the pressure of 1 bar | For application with steam or with PS above the 16 bar, please consult our Technical Service | Available on request and with minimum quantities.

IDROENERGIAITALIA

Master distributor ODE

Sede Legale

Registered Office

00195 Roma (RM) Via Carlo Mirabello, 14

Ufficio Commerciale e sede logistica

Commercial and Logistic Office

73100 Lecce (LE) - Via Parini, 48

Tel: +39 0832090005

e-mail: info@idroenergiaitalia.it

negozio@elettrovalvole.info

MATERIALS:

Body	PPS
Armature tube	Stainless steel AISI series 300
Fixed core	Stainless steel AISI series 400
Plunger	Stainless steel AISI series 400
Phase displacement ring	Copper - Cu 99,9%
Spring	Stainless steel AISI series 300
Seal	Standard: V=FKM On request: B=NBR E=EPDM
Orifice	PPS

On request:

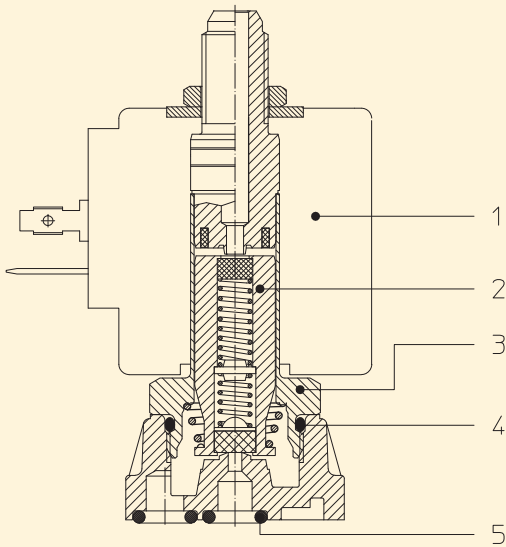
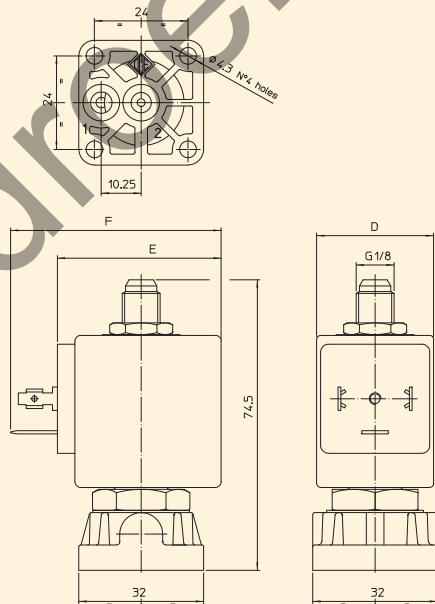
Connector	Pg 9 or Pg 11
Connector conformity	ISO 4400

FEATURES:

Electrical conformity	IEC 335
Protection degree	IP 65 EN 60529 (DIN 40050) with coil fitted by connector.

SPARE PARTS:

- Coil:**
See coils list
- Complete plunger:**
Code R450675/VX
- Complete armature tube:**
Code R450864
- Gasket O-Ring:**
Code R990000/VX
- Gasket O-Ring:**
Code R990002/S

**DIMENSIONS:**

COIL TYPE	POWER ABSORPTION			DIMENSIONS		
	W ---	Hold VA ~	Inrush VA ~	D mm	E mm	F mm
B	8	14,5	25	30	42	54