



Solenoid valve 2/2 way N.C. With pilot control

21H9KV180

PRESENTATION:

S.V. with pilot control for interception of fluids compatible with the construction materials.

A minimum operational pressure of 0,1 bar is required.

The materials used and the tests carried out ensure maximum reliability and duration.

USE: Automation
Heating

PIPES: G 3/4

COILS:

| | |
|----------------|--------------------------|
| 8W - Ø 13 | |
| BDA -BDS - BSA | 155°C (class F) |
| BDP | 160°C (high temperature) |
| BDF | 180°C (class H) |
| SDH | 180°C (class H) |
| 12W - Ø 13 | |
| UDA | 155°C (class F) |
| 14W - Ø 13 | |
| GDH | 180°C (class H) |

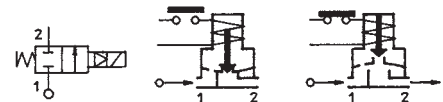
MOULDING AND BOBBIN ARE MADE BY 100% VIRGIN MATERIAL.

Max. allowable pressure (PS) 16 bar
 Environment temperature:
 with class **F** or high temperature coils - 10°C + 60°C
 with class **H** coil - 10°C + 80°C



| Gaskets | Temperature | | Medium |
|--|-------------|--------|---|
| | - 10°C | +140°C | |
| V =FKM (fluoroelastomer) | - 10°C | +140°C | Mineral oils (2°E), gasoline gas oil |
| B =NBR (nitrile rubber) | - 10°C | + 90°C | Air, inert gas, water |
| E =EPDM (ethylene-propylene) | - 10°C | +140°C | Water, steam |

For seals other than FKM replace the letter "V" with the ones corresponding to the other seals. E.I. 21H9KB180.



| Pipe ISO 228/1 | Code | Max viscosity | | Ø mm | Kv l/min | Power (watt) | Pressure | | |
|-------------------|-----------|---------------|-----|---------|-------------|-----------------|------------|----------|--------|
| | | cSt | °E | | | | min bar | M.O.P.D. | |
| | | | | | | | | AC bar | DC bar |
| G 3/4 | 21H9KV180 | 12 | ~ 2 | 18 | 50 | 8 | 0,1 | 16 | 3 |
| | | | | | | 12 | | | 10 |
| | | | | | | 14 | | | 16 |

The "ODE" reserves the right to carry out technical and aesthetic modifications without prior notification.

MATERIALS:

Body Brass - UNI EN 12165 CW617N
Weleded armature tube Stainless steel AISI series 300+
 Brass - UNI EN 12165 CW617N
Fixed core Stainless steel AISI series 400
Plunger Stainless steel AISI series 400
Phase displacement ring Copper - Cu 99,9%
Spring Stainless steel AISI series 300
Seal Standard: V=FKM
 On request: B=NBR E=EPDM
Orifice Brass - UNI EN 12165 CW617N

On request: Pg 9 or Pg 11
Connector ISO 4400
Connector conformity

FEATURES:

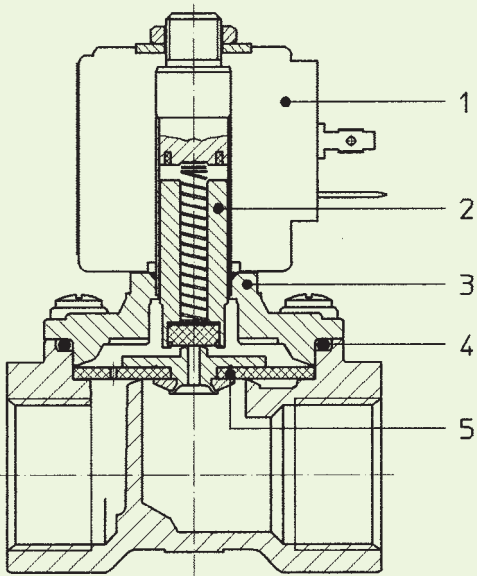
Electrical conformity IEC 335
Protection degree IP 65 EN 60529 (DIN 40050)
 with coil fitted by connector.

SPARE PARTS:

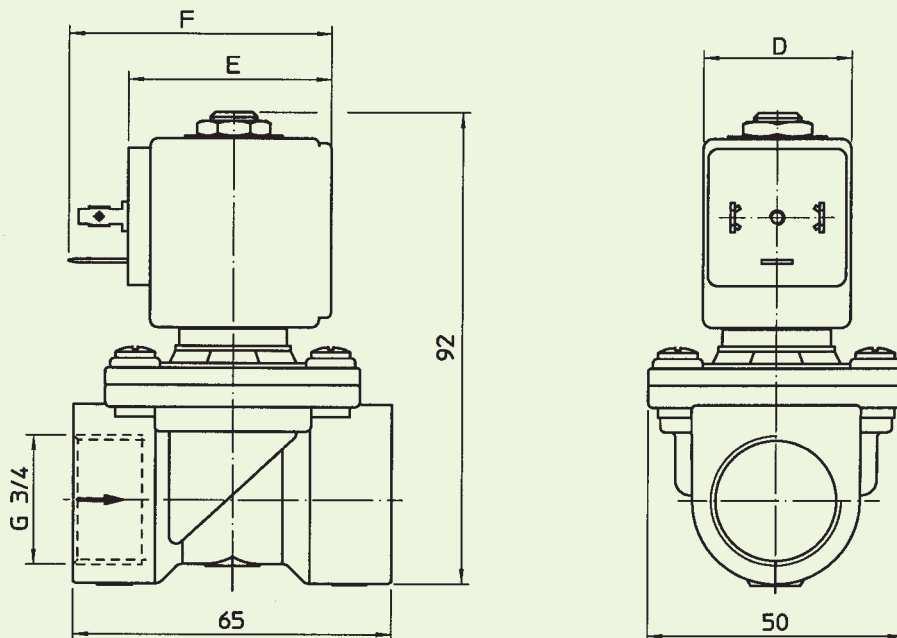
1. **Coil:**
See coils list
2. **Complete plunger:**
Code R451284/V
3. **Complete cover with armature tube without gasket:**
Code R452291
4. **Gasket O-Ring:**
Code R990105/V
5. **Complete diaphragm:**
Code R451220/V

MAINTENANCE KIT:

KTG0H9KV18=2+4+5



DIMENSIONS:



| COIL W == | POWER ABSORPTION | | TYPE | DIMENSIONS | | |
|-----------------|------------------|--------------|------|------------|---------|---------|
| | Inrush VA ~ | Hold VA ~ | | D mm | E mm | F mm |
| 8 W | 25 | 14,5 | B | 30 | 42 | 54 |
| | | | S | 32 | | |
| 12 W | 35 | 25 | U | 36 | 48 | 60 |
| 14 W | 43 | 27 | G | 52 | 55 | 67 |