



Solenoid valve 2/2 way N.C. Direct acting

21TN1KR0V17

÷

21TN2KR0V40

PRESENTATION:

Direct acting S.V. for interception of fluids compatible with the construction materials.

Minimum operational pressure is not required.

The materials used and the tests carried out ensure maximum reliability and duration.

USE: Automation
Heating

PIPES: 1/8 NPT - 1/4 NPT

COIL: 8W - Ø 13
BDA - BSA 155°C (class F)
BDV 180°C (class H)

COIL HOUSING AND COIL FORMER MATERIAL ARE MADE BY 100% VIRGIN MATERIAL.

Max. allowable pressure (PS) 40 bar

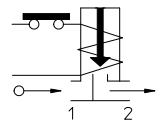
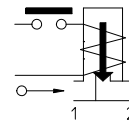
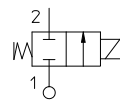
Ambient temperature:

See coils catalogue page for its compatibility.



Gaskets	Temperature		Medium
V =FKM (fluoroelastomer)	- 10°C	+140°C	Mineral oils (2°E), gasoline gas oil, fuel oils (7°E)
B =NBR (nitrile rubber)	- 10°C	+ 90°C	Air, inert gas, water

For seals other than FKM replace the letter "V" with the ones corresponding to the other seals. E.I. 21TN2KR0**B**28.



Pipe ANSI/ASME BI.20.1	Code	Max viscosity		Ø mm	Kv l/mn	Power watt	Pressure		
		cSt	°E				min bar	M.O.P.D.	
								AC bar	DC bar
1/8 NPT	21TN1KR0 V 17	37	~ 5	1,7	1,5	8	0	30	20
	21TN1KR0 V 22			2,2	2,1			20	15
	21TN1KR0 V 28	53	~ 7	2,8	3,5			14	10
	21TN1KR0 V 40			4	5			6	3
1/4 NPT	21TN2KR0 V 17	37	~ 5	1,7	1,5	8	0	30	20
	21TN2KR0 V 22			2,2	2,1			20	15
	21TN2KR0 V 28	53	~ 7	2,8	3,5			14	10
	21TN2KR0 V 40			4	5			6	3

Note

Available on request and with minimum quantities.

The "ODE" reserves the right to carry out technical and aesthetic modifications without prior notification.

MATERIALS:

Body	Brass - UNI EN 12165 CW617N
Incoporated armature tube	Brass - UNI EN 12165 CW617N
Fixed core	Stainless steel AISI series 400
Plunger	Stainless steel AISI series 400
Phase displacement ring	Copper - Cu 99,9%
Spring	Stainless steel AISI series 300
Seal	Standard: V=FKM On request: B=NBR
Orifice	Brass - UNI EN 12165 CW617N

On request:

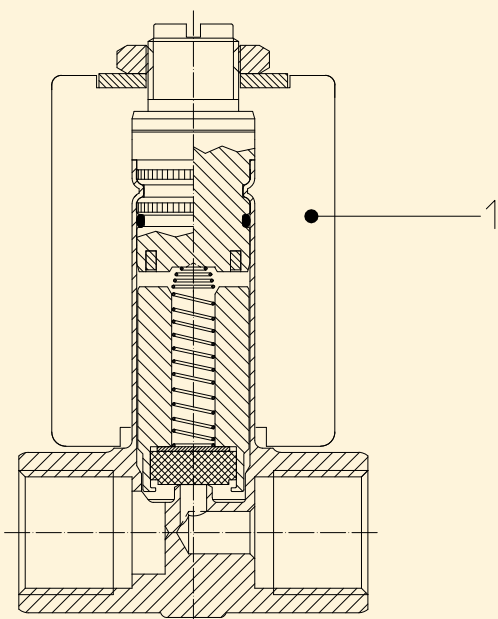
Connector	Pg 9 or Pg 11
Connector conformity	ISO 4400

FEATURES:

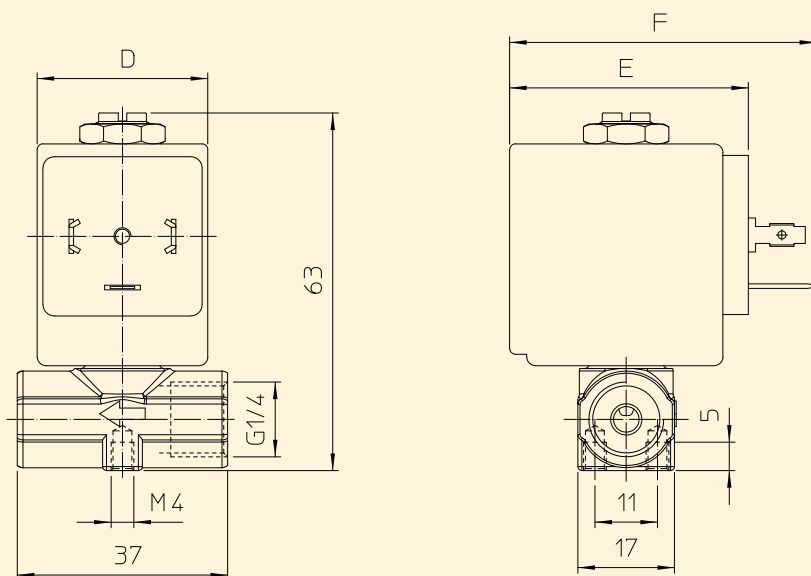
Electrical conformity	IEC 335
Protection degree	IP 65 EN 60529 (DIN 40050) with coil fitted by connector

SPARE PARTS:

- Coil:**
See coils list



DIMENSIONS:



BOBINA TIPO	POTENZA			DIMENSIONI		
	W ==	Esercizio VA ~	Allo spunto VA ~	D mm	E mm	F mm
B	8	14,5	25	30	42	54