



Solenoid valve 2/2 way N.C. With pilot control

21WA3R0B130

÷

21WA4R0B130

PRESENTATION:

S.V. with pilot control for interception of fluids compatible with the construction materials.

A minimum operational pressure of 0,2 bar is required.

The materials used and the tests carried out ensure maximum reliability and duration.

USE: Automation
Heating

PIPES: G 3/8 - G 1/2

COILS: 5W - Ø 10
LBA 155°C (class F)
LBF - LBV 180°C (class H)

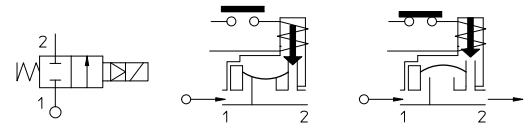
MOULDING AND BOBBIN ARE MADE BY 100% VIRGIN MATERIAL.

Max. allowable pressure (PS) 20 bar
Ambient temperature:
with coil class **F** - 10°C + 60°C
with coil class **H** - 10°C + 80°C



| Gaskets | Temperature | | Medium |
|-------------------------------------|-------------|--------|--------------------------------------|
| | - 10°C | + 90°C | |
| B =NBR (nitrile rubber) | - 10°C | + 90°C | Air, inert gas, water |
| E =EPDM (ethylene-propylene) | - 10°C | +140°C | Water, low pressure steam |
| V =FKM (fluoroelastomer) | - 10°C | +140°C | Mineral oils (2°E), gasoline gas oil |

For seals other than NBR replace the letter "B" with the ones corresponding to the other seals. E.I. 21WA3R0**V**130



| Pipe ISO 228/1 | Code | Max viscosity | | Ø mm | Kv l/mn | Power (watt) | Pressure | | |
|-------------------|-------------|---------------|-----|---------|------------|-----------------|------------|----------|--------|
| | | cSt | °E | | | | min bar | M.O.P.D. | |
| | | | | | | | | AC bar | DC bar |
| G 3/8 | 21WA3R0B130 | 12 | ~ 2 | 13 | 60 | 5 | 0,2 | 12 | 12 |
| G 1/2 | 21WA4R0B130 | | | | 70 | | | | |

The "ODE" reserves the right to carry out technical and aesthetic modifications without prior notification.

MATERIALS:

Body Brass - UNI EN 12165 CW617N
Armature tube Stainless steel AISI series 300
Fixed core Stainless steel AISI series 400
Plunger Stainless steel AISI series 400
Phase displacement ring Copper - Cu 99,9%
Spring Stainless steel AISI series 300
Seal Standard: B=NBR
 On request: V=FKM E=EPDM
Orifice Brass - UNI EN 12165 CW617N

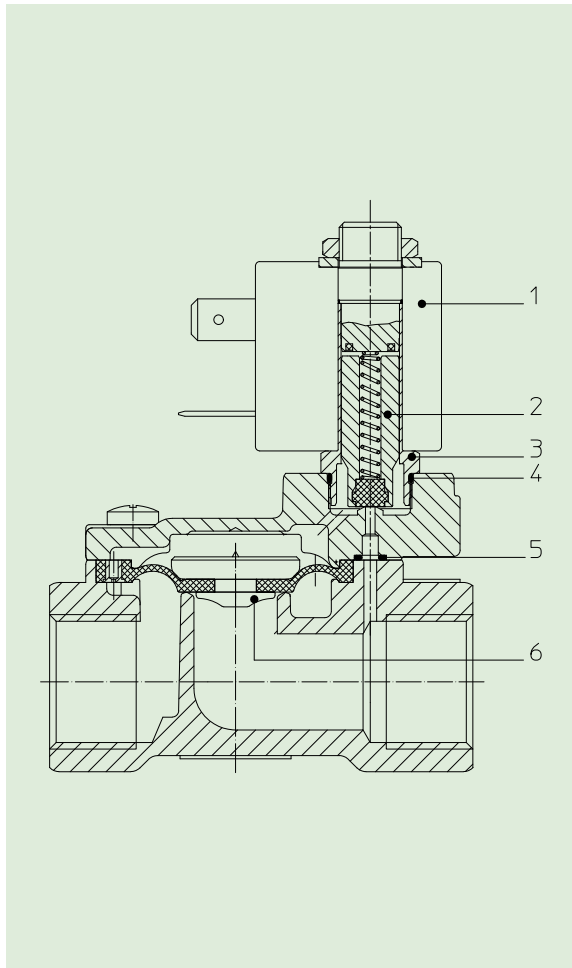
On request: Pg 9 or Pg 11
Connector ISO 4400
Connector conformity

FEATURES:

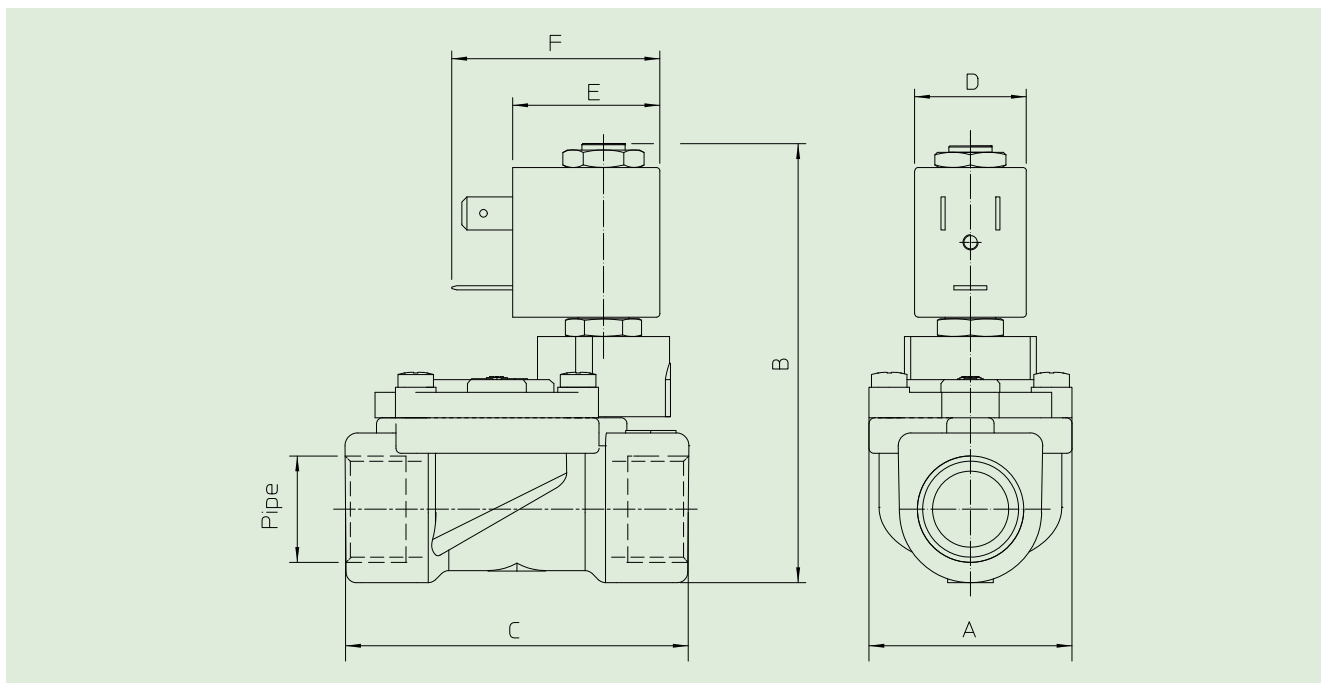
Electrical conformity IEC 335
Protection degree IP 65 EN 60529 (DIN 40050)
 with coil fitted by connector.

SPARE PARTS:

- 1. Coil:** See coils list **KIT:** KT100R0B25-FJ= 2+3+4
- 2. Complete plunger:** Code R451101/B **MAINTENANCE KIT**
- 3. Complete armature tube:** Code R452062 **KTGWA3R0B13= 2+5+6**
- 4. Gasket O-Ring:** Code R990597/B
- 5. Gasket O-Ring:** Code R990300/B
- 6. Complete diaphragm:** Code R452186/B



DIMENSIONS:



| Type | Pipe ISO 228/1 | A mm | B mm | C mm |
|-------------|----------------|------|------|------|
| 21WA3R0B130 | G 3/8 | 40 | 84,5 | 60 |
| 21WA4R0B130 | G 1/2 | | | 66 |

| COIL TYPE | POWER ABSORPTION | | | DIMENSIONS | | |
|-----------|------------------|-----------|-------------|------------|------|------|
| | W --- | Hold VA ~ | Inrush VA ~ | D mm | E mm | F mm |
| L | 5 | 10 | 15 | 30 | 42 | 54 |