



Solenoid valve 3/2 way N.C. Direct acting - NSF Certified

316A31HL1R15-VOT3

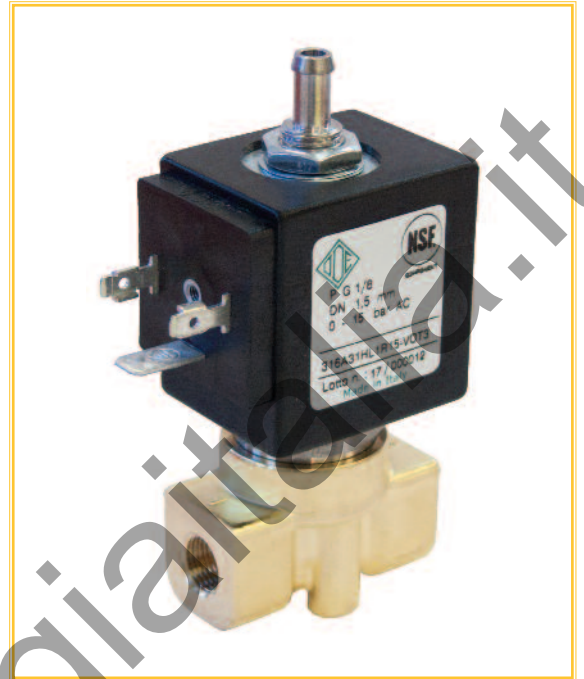
PRESENTATION:

Direct acting S.V. for interception of fluids compatible with the construction materials.
Minimum operational pressure is not required.
The materials used and the tests carried out ensure maximum reliability and duration.

USE: Vending

PIPES: G 1/8

COILS: 8W - Ø 13
BDA - BSA 155°C (class F)
BDV 180°C (class H)

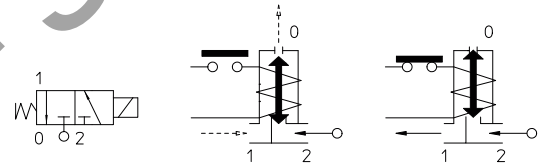


Max. allowable pressure (PS) 40 bar
Ambient temperature:
See coils catalogue page for its compatibility.

Note

* 3rd way exhaust= Ø 2,5 mm | The use of rigid sealings usually implies a slight leakage, limited within 2scc/min at the pressure of 1 bar. | Available on request and with minimum quantities.

| Gaskets | Temperature | Medium |
|---------|----------------|-------------------|
| R=RUBY | - 40°C + 180°C | Water, air, steam |



| Pipe ISO 228/1 | Code | Max viscosity | | Ø mm | Kv l/mn | Power watt | Pressure | | |
|-------------------|-------------------|---------------|-----|---------|------------|---------------|------------|---------------------------|----|
| | | cSt | °E | | | | min bar | M.O.P.D. AC bar DC bar | |
| G 1/8 | 316A31HL1R15-VOT3 | 12 | ~ 2 | 1,5* | 1,4 | 8 | 0 | 15 | 15 |

IDROENERGIAITALIA

Master distributor ODE

Sede Legale

Registered Office

00195 Roma (RM) Via Carlo Mirabello, 14

Ufficio Commerciale e sede logistica

Commercial and Logistic Office

73100 Lecce (LE) - Via Parini, 48

Tel: +39 0832090005

e-mail: info@idroenergiaitalia.it

negozio@elettrovalvole.info

MATERIALS:

| | |
|--------------------------------|---------------------------------|
| Body | Low Lead Brass |
| Armature tube | Stainless steel AISI series 300 |
| Fixed core | Stainless steel AISI series 400 |
| Plunger | Stainless steel AISI series 400 |
| Phase displacement ring | Gold plated copper |
| Spring | Stainless steel AISI series 300 |
| Seal | RUBY |
| Orifice: Insert slot | Stainless steel AISI series 300 |

On request:

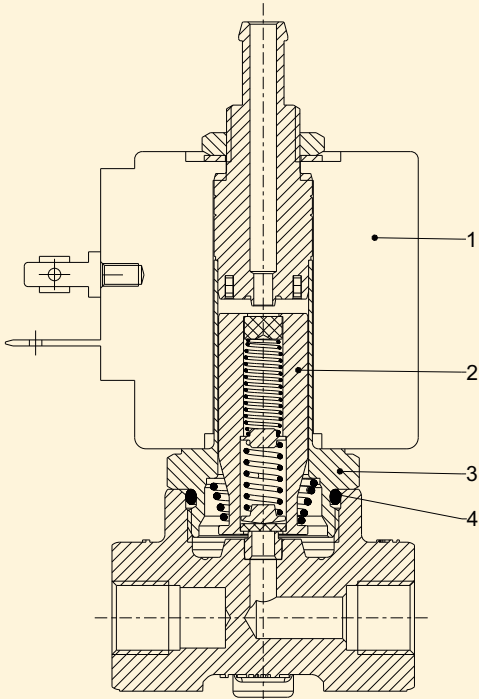
| | |
|-----------------------------|---------------|
| Connector | Pg 9 or Pg 11 |
| Connector conformity | ISO 4400 |

SPARE PARTS:

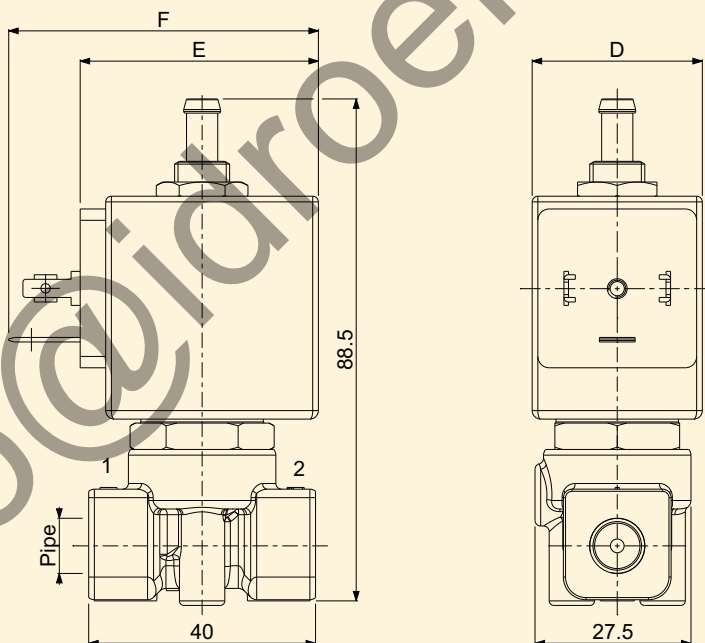
| | |
|------------------------------|--|
| Electrical conformity | IEC 335 |
| Protection degree | IP 65 EN 60529 (DIN 40050) with coil fitted by connector. |

SPARE PARTS:

- 1. Coil:**
See coils list
- 2. Complete plunger:**
Code R453258/RVX
- 3. Complete armature tube:**
Code R453584/D
- 4. Gasket O-Ring:**
Code R990002/VX



DIMENSIONS:



| COIL TYPE | POWER ABSORPTION | | | DIMENSIONS | | |
|-----------|------------------|--------------|----------------|------------|---------|---------|
| | W --- | Hold VA ~ | Inrush VA ~ | D mm | E mm | F mm |
| B | 8 | 14,5 | 25 | 30 | 42 | 54 |