



Solenoid valve 3/2 way N.C. Direct acting

31A3CV15

PRESENTATION:

Direct acting S.V. for interception of fluids compatible with the construction materials.
Minimum operational pressure is not required.
The materials used and the tests carried out ensure maximum reliability and duration.

USE: Automation
Heating

PIPES: G 1/8

COILS: 8W - Ø 13
BDA - BSA 155°C (class F)
BDV 180°C (class H)

COIL HOUSING AND COIL FORMER MATERIAL ARE MADE BY 100% VIRGIN MATERIAL.

Max. allowable pressure (PS) 40 bar

Ambient temperature:

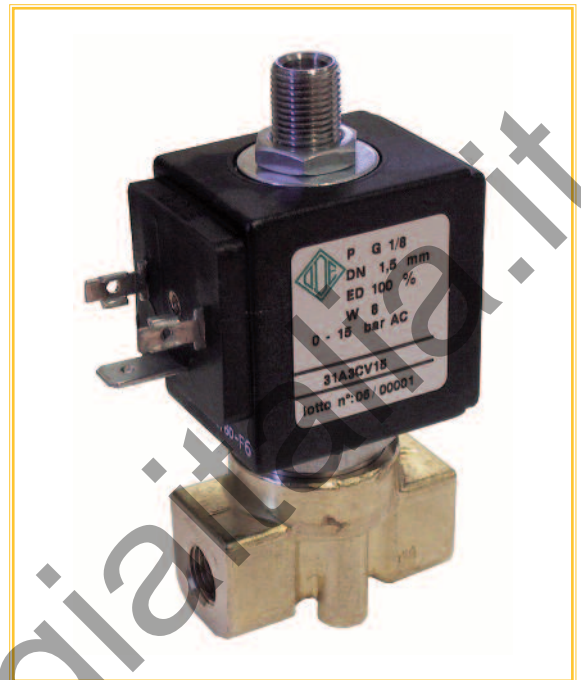
See coils catalogue page for its compatibility.

NOTE

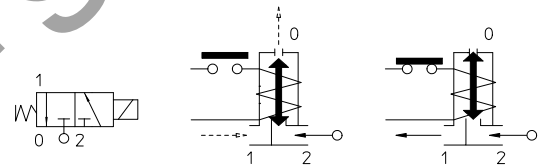
* 3rd way exhaust = Ø 2,5 mm

Available also with brass body without lead.

Available on request and with minimum quantities.



| Gaskets | Temperature | | Medium |
|-------------------------|-------------|---------|---|
| V=FKM (fluoroelastomer) | - 10°C | + 140°C | Mineral oils (2°E), gasoline gas oil |



| Pipe ISO 228/1 | Code | Max viscosity | | Ø mm | Kv l/mn | Power watt | Pressure | | |
|-------------------|----------|---------------|-----|---------|------------|---------------|------------|----------|--------|
| | | cSt | °E | | | | min bar | M.O.P.D. | |
| | | | | | | | | AC bar | DC bar |
| G 1/8 | 31A3CV15 | 12 | ~ 2 | 1,5* | 1,4 | 8 | 0 | 15 | 15 |

IDROENERGIAITALIA

Master distributor ODE

Sede Legale

Registered Office

00195 Roma (RM) Via Carlo Mirabello, 14

Ufficio Commerciale e sede logistica

Commercial and Logistic Office

73100 Lecce (LE) - Via Parini, 48

Tel: +39 0832090005

e-mail: info@idroenergiaitalia.it

negozi@elettrovalvole.info

MATERIALS:

| | |
|--------------------------------|---------------------------------|
| Body | Brass - UNI EN 12165 CW617N |
| Armature tube | Stainless steel AISI series 300 |
| Fixed core | Stainless steel AISI series 400 |
| Plunger | Stainless steel AISI series 400 |
| Phase displacement ring | Copper - Cu 99,9% |
| Spring | Stainless steel AISI series 300 |
| Seal | V=FKM |
| Orifice: Insert slot | Stainless steel AISI series 300 |

On request:

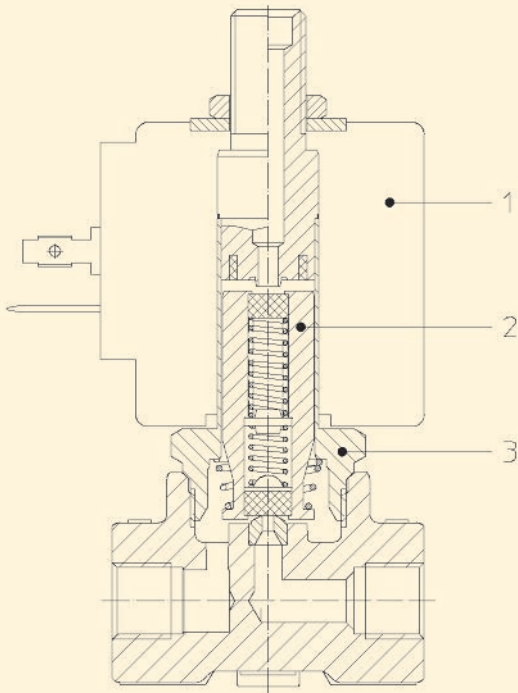
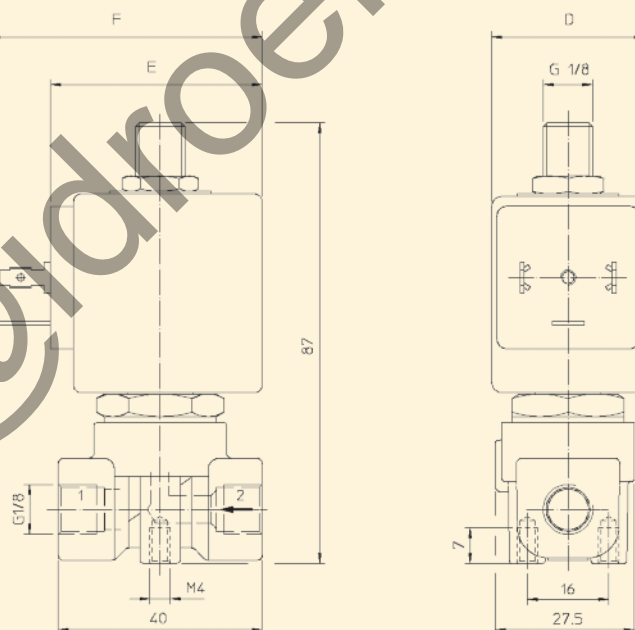
| | |
|-----------------------------|---------------|
| Connector | Pg 9 or Pg 11 |
| Connector conformity | ISO 4400 |

SPARE PARTS:

| | |
|------------------------------|--|
| Electrical conformity | IEC 335 |
| Protection degree | IP 65 EN 60529 (DIN 40050) with coil fitted by connector. |

SPARE PARTS:

- Coil:** See coils list
KIT
KT130CV30-A=2+3
- Complete plunger:**
Code R450675/V
- Complete armature tube:**
Code R451229

**DIMENSIONS:**

| COIL TYPE | POWER ABSORPTION | | | DIMENSIONS | | |
|-----------|------------------|--------------|----------------|------------|---------|---------|
| | W --- | Hold VA ~ | Inrush VA ~ | D mm | E mm | F mm |
| B | 8 | 14,5 | 25 | 30 | 42 | 54 |