



COILS 30 mm x Ø 13 mm

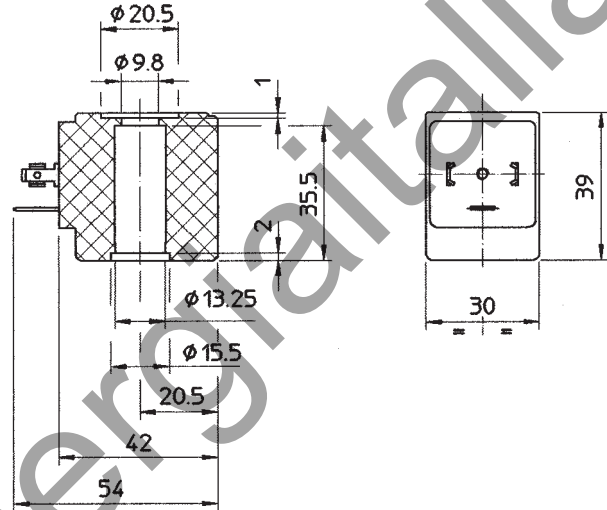
BDA08024AS

÷

BDU08024AW

COIL

BDA	Molding material:	PA - Black polyamide - class F (155°C)
BDF	Molding material:	PPS - Black polyphenylsulphide - class H (180°C)
BDP	Molding material:	PA - Black polyarylamide - high temperature (160°C)
BDS	Molding material:	PA - Black polyamide with anti-humidity impregnation class F (155°C)
BDU	Molding material:	PET - Black Polyester - classe F (155°C)
	Winding:	In class H
	Electrical connections:	With connector EN 175301-803 paragraph 5.3.1 Protection degree DIN 40050 = IP65



MATERIAL ON STOCK:

Code	Power	Voltages	ED	Approvals
BDA08024AS	8 W	V 24/50Hz	100%	CE - (1)
BDA08024CS	8 W	V 24 D.C.	100%	CE - (1)
BDA08110AS	8 W	V 110/50Hz	100%	CE - (1)
BDA08223DS	8 W	V 220-230/50-60Hz	100%	CE - (1)
BDA16024ES	16 W	V 24/50Hz	50%(2)	CE
BDF08012CU	11 W	V 12 D.C.	100%	CE - UL - CSA
BDF08024BU	8 W	V 24/60Hz	100%	CE - UL
BDF08024CU	11 W	V 24 D.C.	100%	CE - UL - CSA
BDF08110BU	8 W	V 110/60Hz	100%	CE - UL
BDF08220BU	8 W	V 220/60Hz	100%	CE - UL

IDROENERGIAITALIA

Master distributor ODE

Sede Legale

Registered Office

00195 Roma (RM) Via Carlo Mirabello, 14

Ufficio Commerciale e sede logistica

Commercial and Logistic Office

73100 Lecce (LE) - Via Parini, 48

Tel: +39 0832090005

e-mail: info@idroenergiaitalia.it

negozi@elettrovalvole.info

BDA08024AS

÷

BDU08230AW

COILS 30 mm x Ø 13 mm

Code	Power	Voltages	ED	Approvals
BDP08223DS	8 W	V 220-230/50-60Hz	100%	CE
BDS08223DS	8 W	V 220-230/50-60Hz	100%	CE
BDU08024DW	8 W	V 24/50-60Hz	100%	CE - UL - CSA
BDU08110AW	8 W	V 110/50Hz V 120/60Hz	100%	CE - UL - CSA
BDU08230AW	8 W	V 230/50Hz V 240/60Hz	100%	CE - UL - CSA

NOMINAL VOLTAGES DC + 10% -5%
TOLERANCES: AC + 10% -15%

(1) Available also with **VDE** approval (I.e. code: BDA08024AV).

(2) Standard cycle time 1 minute, for different requirements please contact our commercial offices.
Other voltages and power absorptions available on demand and for quantities.